



ARTEFERRO
Compendium

Ferro Battuto, Wrought Iron, Hierro Forjado, Schmiedeeisen,
Fer Forge, Ferro Forjado, Smidesjarn, Ковка, Kovano Zeljezo, Fer Forjat

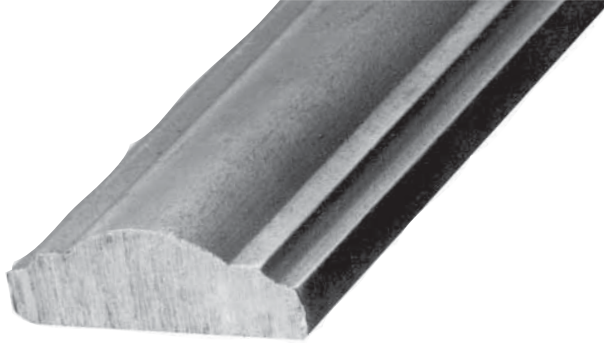
CORRIMANO E BARRE LUNGHE - HANDRAIL AND LONG BARS



ind.i.a.® S.
P.
A.

industria italiana arteferro

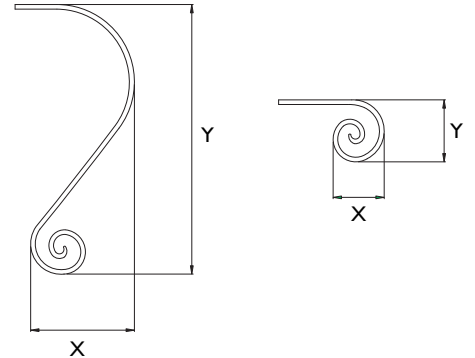
CORRIMANO LAMINATO A CALDO
HOT ROLLED HANDRAIL



Sezione Section	L 3000 mm	L 6000 mm
	Cod.art./Art.no.	Cod.art./Art.no.
40 x 11 mm	1373/4	1373/4/6000
45 x 12 mm	1373/3	1373/3/6000
50 x 14 mm	114/A/3	114/A/3/6000
60 x 16 mm	1373/2	1373/2/6000



Per corrimano For handrail	X 130 mm Y 110 mm
Cod.art./Art.no.	Cod.art./Art.no.
1373/4	1817/9
1373/3	1817/10
114/A/3	114/B/13
1373/2	1817/12



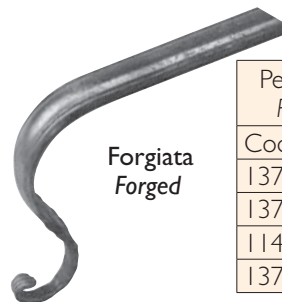
Per corrimano For handrail	X 130 mm Y 110 mm
Cod.art./Art.no.	Cod.art./Art.no.
1373/4	1377/25
1373/3	1377/24
1373/2	1377/23



Per corrimano For handrail	X 110 mm Y 300 mm
Cod.art./Art.no.	Cod.art./Art.no.
1373/4	1817/5
1373/3	1817/6
114/A/3	114/B/14
1373/2	1817/8



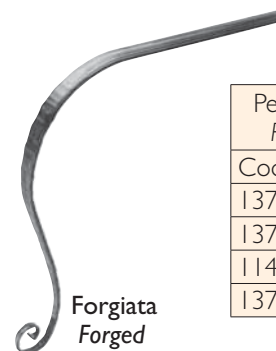
Per corrimano For handrail	X 150 mm Y 130 mm
Cod.art./Art.no.	Cod.art./Art.no.
1373/4	1814/17
1373/3	1814/16
114/A/3	1814/18
1373/2	1814/15



Per corrimano For handrail	X 100 mm Y 300 mm
Cod.art./Art.no.	Cod.art./Art.no.
1373/4	1814/11
1373/3	1814/10
114/A/3	1814/12
1373/2	1814/9



Per corrimano For handrail	X 160 mm Y 730 mm
Cod.art./Art.no.	Cod.art./Art.no.
1373/4	1377/38
1373/3	1377/37
1373/2	1377/36



Per corrimano For handrail	X 160 mm Y 730 mm
Cod.art./Art.no.	Cod.art./Art.no.
1373/4	1814/5
1373/3	1814/4
114/A/3	1814/6
1373/2	1814/3



Per articolo For Item #	Ø esterno External Dia. 325 mm
Cod.art./Art.no.	Cod.art./Art.no.
1373/4	1822/2
1373/3	1822/3
114/A/3	1822/1
1373/2	1822/4



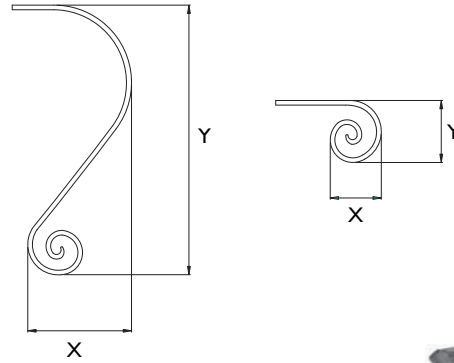
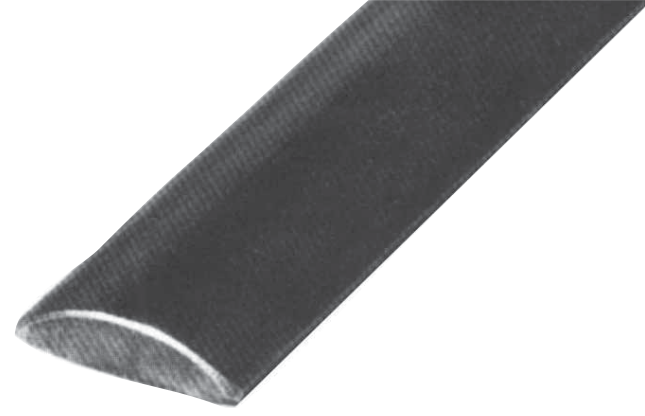
Per articolo For Item #	Ø esterno External Dia. 325 mm
Cod.art./Art.no.	Cod.art./Art.no.
1373/4	1822/13
1373/3	1822/14
114/A/3	1822/12
1373/2	1822/15



Per corrimano For handrail	X 160 mm Y 730 mm
Cod.art./Art.no.	Cod.art./Art.no.
1373/4	1817/1
1373/3	1817/2
114/A/3	114/B/15
1373/2	1817/3

LAMINATO A CALDO
HOT ROLLED

Sezione Section	L 3000 mm	L 6000 mm
	Cod.art./Art.no.	Cod.art./Art.no.
∅ 25 x 7 mm	158/9/C	158/9/C/6000
∅ 30 x 8 mm	158/10/C	158/10/C/6000
∅ 30 x 10 mm	810/A/1	810/A/10
∅ 35 x 10 mm	810/A/2	810/A/11
∅ 30 x 15 mm	810/A/23	810/A/24
∅ 40 x 8 mm	158/12/C	158/12/C/6000
∅ 40 x 10 mm	810/A/3	810/A/12
∅ 40 x 12 mm	810/7/C	810/7/C/6000
∅ 40 x 15 mm	810/A/4	810/A/13
∅ 45 x 10 mm	158/47/C	158/47/C/6000
∅ 50 x 8 mm	158/45/C	158/45/C/6000
∅ 50 x 10 mm	810/A/5	810/A/14
∅ 50 x 12 mm	810/8/C	810/8/C/6000
∅ 50 x 15 mm	810/A/6	810/A/15
∅ 50 x 20 mm	810/A/7	810/A/16
∅ 60 x 20 mm	810/A/9	810/A/18



MEZZITONDI VERI
laminati a caldo
Hot rolled
HALF ROUND SECTION

Sezione Section	L 3000 mm	L 6000 mm
	Cod.art./Art.no.	Cod.art./Art.no.
∅ 20 x 10 mm	810/1	810/1/6000
∅ 25 x 12,5 mm	810/2	810/2/6000
∅ 30 x 15 mm	810/3	810/10
∅ 40 x 20 mm	810/5	810/11
∅ 50 x 25 mm	810/12	810/12/6000
∅ 60 x 30 mm	810/13	810/13/6000

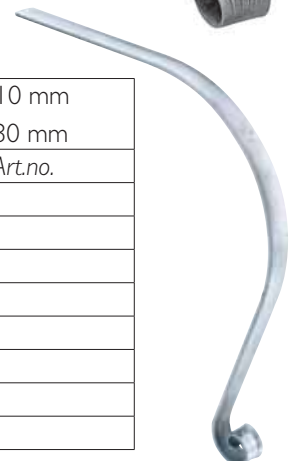
per/For	X 130 mm Y 110 mm
	Cod.art./Art.no.
∅ 35 x 10 mm	812/5
∅ 40 x 8 mm	812/6
∅ 40 x 10 mm	812/7
∅ 40 x 12 mm	1819/25
∅ 45 x 10 mm	1819/27
∅ 50 x 8 mm	1819/26
∅ 50 x 10 mm	812/8
∅ 50 x 12 mm	1819/28



per/For	X 100 mm Y 300 mm
	Cod.art./Art.no.
∅ 35 x 10 mm	812/1
∅ 40 x 8 mm	812/2
∅ 40 x 10 mm	812/3
∅ 40 x 12 mm	1819/21
∅ 45 x 10 mm	1819/23
∅ 50 x 8 mm	1819/22
∅ 50 x 10 mm	812/4
∅ 50 x 12 mm	1819/24

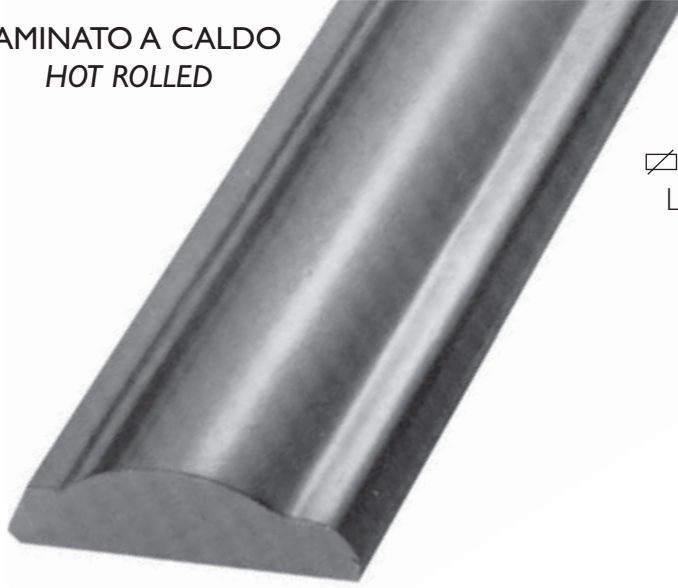


per/For	X 110 mm Y 730 mm
	Cod.art./Art.no.
∅ 35 x 10 mm	1819/13
∅ 40 x 8 mm	1819/14
∅ 40 x 10 mm	1819/15
∅ 40 x 12 mm	1819/17
∅ 45 x 10 mm	1819/19
∅ 50 x 8 mm	1819/18
∅ 50 x 10 mm	1819/16
∅ 50 x 12 mm	1819/20



ARTEFERRO

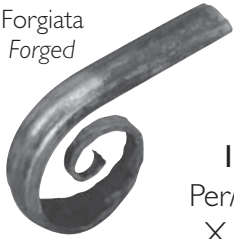
LAMINATO A CALDO
HOT ROLLED



811/2
 \varnothing 58 x 16 mm
 L 4000 mm

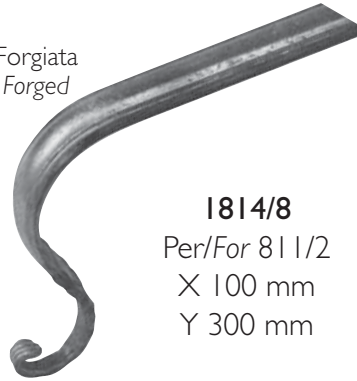


Forgiata
Forged



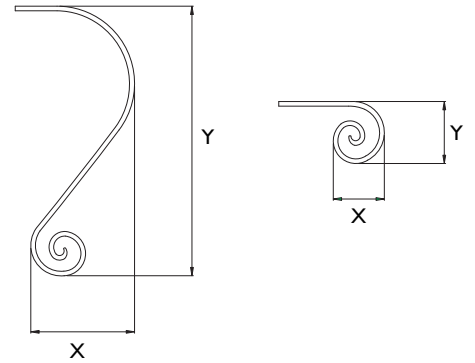
1814/14
 Per/For 811/2
 X 150 mm
 Y 130 mm

Forgiata
Forged



1814/8
 Per/For 811/2
 X 100 mm
 Y 300 mm

ARTEFERRO



1817/11
 Per/For 811/2
 X 110 mm
 Y 130 mm



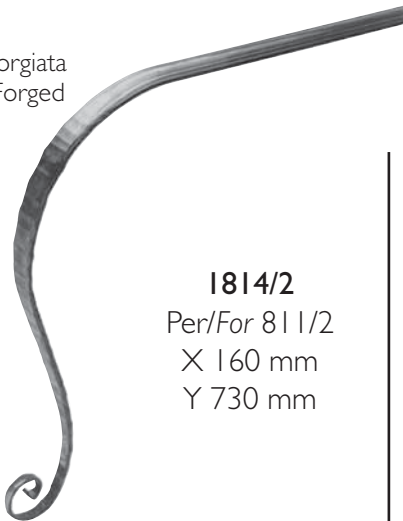
1817/7
 Per/For 811/2
 X 110 mm
 Y 300 mm



Ø esterno
External Dia.
325 mm

1822/17
 Per/For 811/2

Forgiata
Forged



1814/2
 Per/For 811/2
 X 160 mm
 Y 730 mm

H 800 mm
 L 200 mm



1817/4
 Per/For 811/2
 X 110 mm
 Y 730 mm

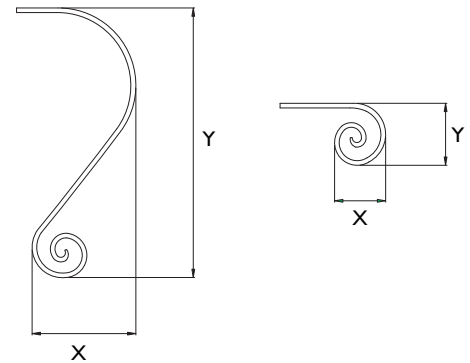
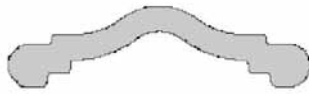


Ø esterno
External Dia.
325 mm

1822/6
 Per/For 811/2

LAMINATO A CALDO
HOT ROLLED

Dimensioni Dimensions	L 3000 mm	L 6000 mm
	Cod.art./Art.no.	Cod.art./Art.no.
☒ 43 x 15 mm	811/4	811/7
☒ 43 x 19 mm	811/5	811/8
☒ 56 x 21 mm	811/3	811/6



Per corrimano For handrail	Per corrimano For handrail	X 110 mm Y 300 mm
Cod.art./Art.no.	Cod.art./Art.no.	Cod.art./Art.no.
811/4	811/7	1377/41
811/5	811/8	1377/42
811/3	811/6	1377/40



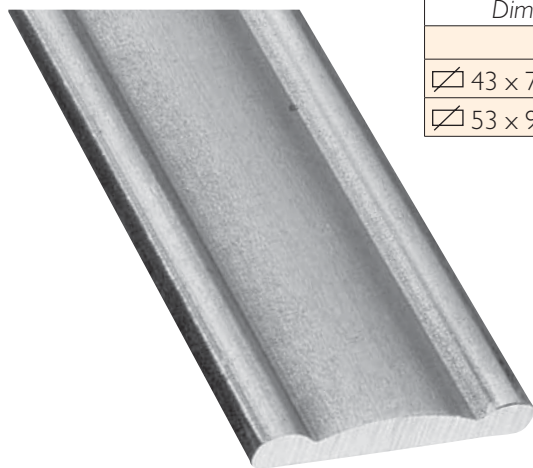
Per corrimano For handrail	Per corrimano For handrail	X 130 mm Y 110 mm
Cod.art./Art.no.	Cod.art./Art.no.	Cod.art./Art.no.
811/4	811/7	812/13
811/5	811/8	812/15
811/3	811/6	812/12



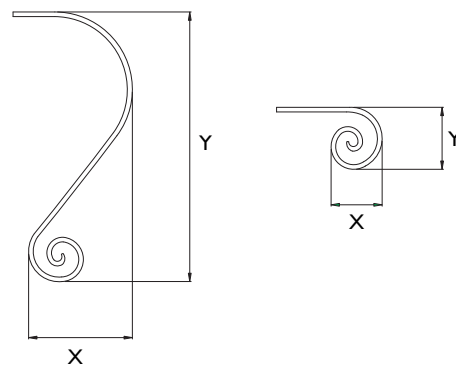
Per corrimano For handrail	Per corrimano For handrail	X 110 mm Y 730 mm
Cod.art./Art.no.	Cod.art./Art.no.	Cod.art./Art.no.
811/4	811/7	1819/11
811/5	811/8	1819/12
811/3	811/6	1819/10

CORRIMANO e BARRE LUNGHE - HANDRAIL and LONG BARS

LAMINATO A CALDO
HOT ROLLED



Dimensioni Dimensions	L 3650 mm
	Cod.art./Art.no.
43 x 7 mm	114/A/1
53 x 9 mm	114/A/2



Per articolo For Item #	Ø esterno External Dia. 325 mm
114/A/1	1822/7
114/A/2	1822/8



Per articolo For Item #	Ø esterno External Dia. 325 mm
	Cod.art./Art.no.
114/A/1	1822/18
114/A/2	1822/19



Per corrimano For handrail	X 130 mm Y 110 mm
	Cod.art./Art.no.
114/A/1	1818/15
114/A/2	1818/16



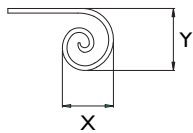
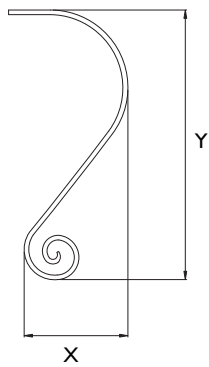
Per corrimano For handrail	X 110 mm Y 300 mm
	Cod.art./Art.no.
114/A/1	114/B/1
114/A/2	114/B/2



Per corrimano For handrail	X 110 mm Y 730 mm
	Cod.art./Art.no.
114/A/1	1818/5
114/A/2	1818/6



ARTEFERRO



ARTEFERRO

Art. 114/B/3
Per/For Art.114/2
X 160 mm
Y 730 mm
forgiata
Hor forged

Art. 115/3
Per/For Art.114/2
X 150 mm
Y 130 mm
forgiata
Hor forged

Art. 115/2
Per/For Art.114/2
X 100 mm
Y 300 mm
forgiata
Hor forged

Fucinato al maglio
Hot hammered
L 2000 mm

Art. 114/2
Ø 58 x 17 mm



Ø esterno
External Dia.
325 mm

Art. 1822/21
Per/For Art.114/2



Ø esterno
External Dia.
325 mm

Art. 1822/10
Per/For Art.114/2



LAMINATO A FREDDO
COLD ROLLED

Dimensioni Dimensions	L 3000 mm	L 6000 mm
	Cod.art./Art.no.	Cod.art./Art.no.
Ø 59 x 16,5 mm	811/3/T	811/6/T



Ø esterno
External Dia.
205 mm

Art. 1825/26
Per/For 811/3/T
Per/For 811/6/T

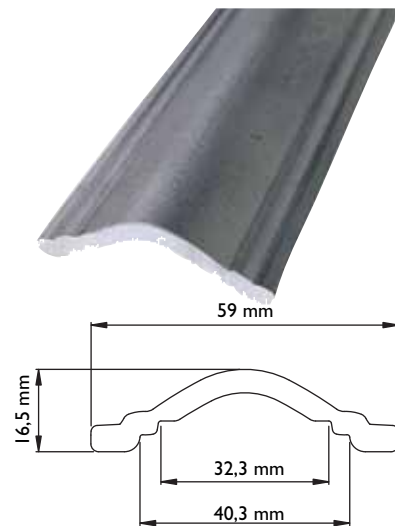


Ø esterno
External Dia.
205 mm

Art. 1825/16
Per/For 811/3/T
Per/For 811/6/T

Art. 1820/9
Per/For 811/3/T
Per/For 811/6/T
X 110 mm
Y 730 mm

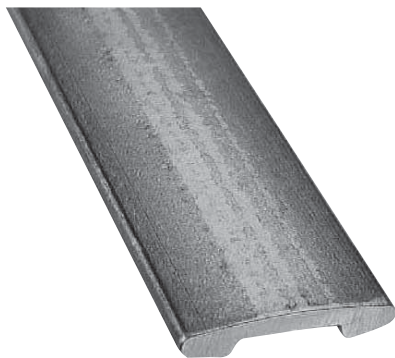
Art. 1377/40/T
Per For 811/3/T
Per/For 811/6/T
X 110 mm
Y 300 mm



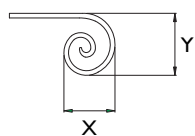
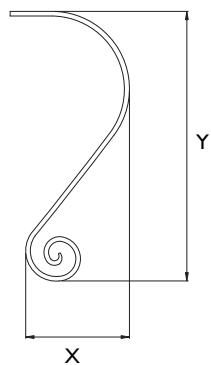
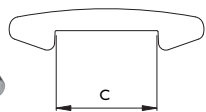
Art. 812/12/T
Per/For 811/3/T
Per/For 811/6/T
X 130 mm
Y 110 mm



LAMINATO A FREDDO
COLD ROLLED



Dimensioni Dimensions	C	L 3000 mm	L 6000 mm
		Cod.art./Art.no.	Cod.art./Art.no.
40 x 8,5 mm	20,7 mm	810/B/13/T	810/B/16/T
45 x 9 mm	20,8 mm	810/B/14/T	810/B/17/T
50 x 9 mm	25,7 mm	810/B/15/T	810/B/18/T



X 130 mm
Y 110 mm



X 110 mm
Y 300 mm



X 110 mm
Y 730 mm



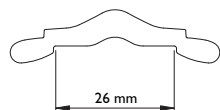
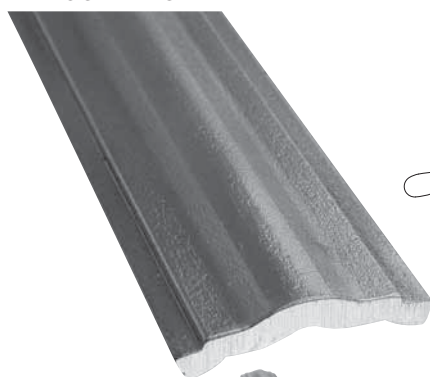
Dimensioni Dimensions	Cod.art./Art.no.	Cod.art./Art.no.	Cod.art./Art.no.
per/For 40 x 8,5 mm	1377/20/T	1377/7/T	1820/5
per/For 45 x 9 mm	1377/21/T	1377/8/T	1820/6
per/For 50 x 9 mm	1377/22/T	1377/9/T	1820/7



Dimensioni Dimensions	Ø esterno External Dia. 205 mm
	Cod.art./Art.no.
per/For 40 x 8,5 mm	1825/13
per/For 45 x 9 mm	1825/14
per/For 50 x 9 mm	1825/15

Dimensioni Dimensions	Ø esterno External Dia. 205 mm
	Cod.art./Art.no.
per/For 40 x 8,5 mm	1825/23
per/For 45 x 9 mm	1825/24
per/For 50 x 9 mm	1825/25

LAMINATO A FREDDO
COLD ROLLED



Dimensioni Dimensions	L 3000 mm	L 6000 mm
	Cod.art./Art.no.	Cod.art./Art.no.
43 x 11 mm	810/B/19/T	810/B/20/T

Art. 1377/18/T
Per/For 810/B/19/T
Per/For 810/B/20/T
X 130 mm
Y 110 mm



Art. 1377/5/T
Per/For 810/B/19/T
Per/For 810/B/20/T
X 110 mm
Y 300 mm



Art. 1820/8
Per/For 810/B/19/T
Per/For 810/B/20/T
X 110 mm
Y 730 mm

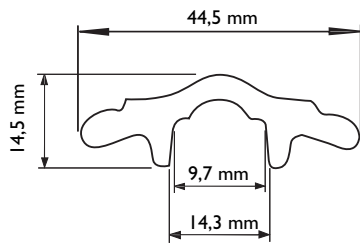


Dimensioni Dimensions	L 3000 mm	L 6000 mm
	Cod.art./Art.no.	Cod.art./Art.no.
☒ 44,5 x 14,5 mm	810/B/21	810/B/22

LAMINATO A CALDO
HOT ROLLED



ARTEFERRO



Art. 1377/19
Per/For 810/B/21
Per/For 810/B/22
X 130 mm
Y 110 mm



Art. 1377/6
Per/For 810/B/21
Per/For 810/B/22
X 110 mm
Y 300 mm



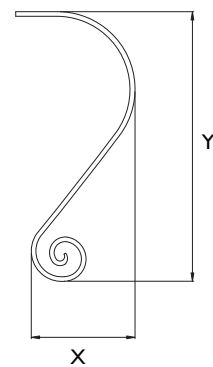
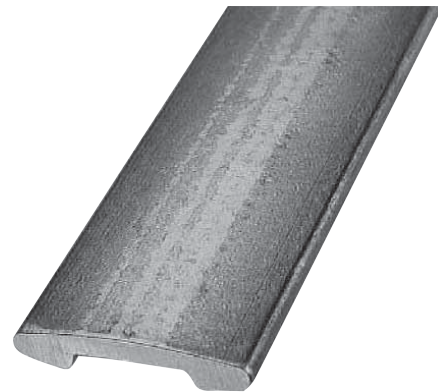
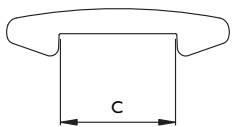
Art. 1819/6
Per/For 810/B/21
Per/For 810/B/22
X 110 mm
Y 730 mm



Art. 1819/32
Per/For 810/B/21
Per/For 810/B/22
X 110 mm
Y 730 mm

Dimensioni Dimensions	C	L 3000 mm	L 6000 mm
		Cod.art./Art.no.	Cod.art./Art.no.
☒ 40 x 8,5 mm	21,5 mm	810/B/13	810/B/16
☒ 45 x 9,5 mm	21,5 mm	810/B/14	810/B/17
☒ 55 x 10,5 mm	26,5 mm	810/B/15	810/B/18

LAMINATO A CALDO
HOT ROLLED



X 110 mm
Y 730 mm



X 110 mm
Y 730 mm



X 110 mm
Y 300 mm



X 130 mm
Y 110 mm

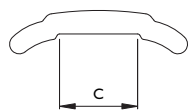


Dimensioni
Dimensions

	Cod.art./Art.no.	Cod.art./Art.no.	Cod.art./Art.no.	Cod.art./Art.no.
per/For ☒ 40 x 8,5 mm	1377/33	1819/7	1377/7	1377/20
per/For ☒ 45 x 9,5 mm	1377/34	1819/8	1377/8	1377/21
per/For ☒ 55 x 10,5 mm	1377/35	1819/9	1377/9	1377/22

LAMINATO A FREDDO COLD ROLLED

Dimensioni Dimensions	C	L 3000 mm	L 6000 mm
		Cod.art./Art.no.	Cod.art./Art.no.
35 x 9 mm	15 mm	810/B/1/T	810/B/5/T
41 x 9 mm	21,1 mm	810/B/2/T	810/B/6/T
45 x 14 mm	20,8 mm	810/B/3/T	810/B/7/T
50 x 14 mm	20,7 mm	810/B/4/T	810/B/8/T

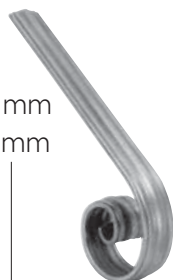


X 130 mm
Y 110 mm

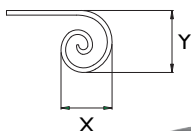
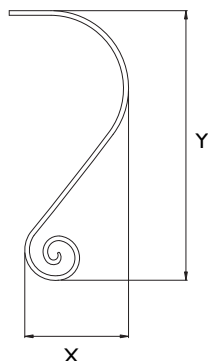
X 110 mm
Y 300 mm

X 110 mm
Y 730 mm

Dimensioni
Dimensions



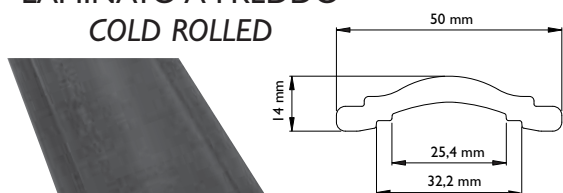
	Cod.art./Art.no.	Cod.art./Art.no.	Cod.art./Art.no.
per/For 35 x 9 mm	1377/14/T	1377/1/T	1820/1
per/For 41 x 9 mm	1377/15/T	1377/2/T	1820/2
per/For 45 x 14 mm	1377/16/T	1377/3/T	1820/3
per/For 50 x 14 mm	1377/17/T	1377/4/T	1820/4



Dimensioni Dimensions	Ø esterno External Dia. 205 mm
	Cod.art./Art.no.
per/For 35 x 9 mm	1825/9
per/For 41 x 9 mm	1825/10
per/For 45 x 14 mm	1825/11
per/For 50 x 14 mm	1825/12

Dimensioni Dimensions	Ø esterno External Dia. 205 mm
	Cod.art./Art.no.
per/For 35 x 9 mm	1825/19
per/For 41 x 9 mm	1825/20
per/For 45 x 14 mm	1825/21
per/For 50 x 14 mm	1825/22

LAMINATO A FREDDO COLD ROLLED



Dimensioni Dimensions	L 3000 mm	L 6000 mm
	Cod.art./Art.no.	Cod.art./Art.no.
50 x 14 mm	811/5/T	811/8/T



Art. 812/15/T
Per/For 811/5/T
Per/For 811/8/T
X 130 mm
Y 110 mm

Art. 1377/42/T
Per/For 811/5/T
Per/For 811/8/T
X 110 mm
Y 300 mm

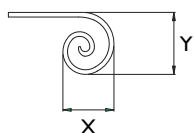
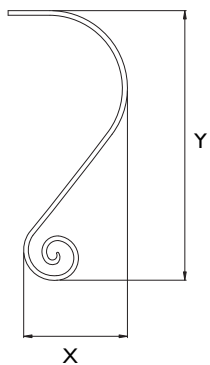
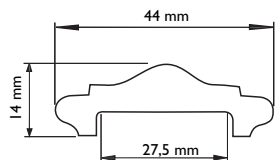
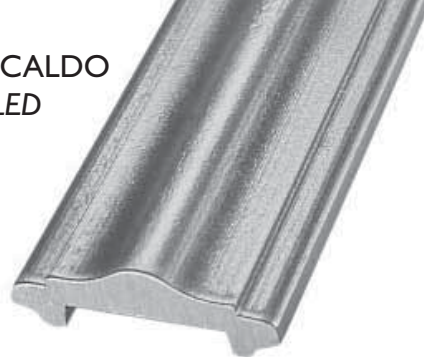
Art. 1820/11
Per/For 811/5/T
Per/For 811/8/T
X 110 mm
Y 730 mm

Ø esterno
External Dia.
205 mm
Art. 1825/28
Per/For 811/5/T
Per/For 811/8/T

Ø esterno
External Dia.
205 mm
Art. 1825/18
Per/For 811/5/T
Per/For 811/8/T

Dimensioni Dimensions	L 3000 mm	L 6000 mm
	Cod.art./Art.no.	Cod.art./Art.no.
44 x 14 mm	810/B/19	810/B/20

LAMINATO A CALDO
HOT ROLLED



I377/18
Per/For 810/B/19
Per/For 810/B/20
X 130 mm
Y 110 mm



I377/5
Per/For 810/B/19
Per/For 810/B/20
X 110 mm
Y 300 mm



I377/31
Per/For 810/B/19
Per/For 810/B/20
X 110 mm
Y 730 mm



I819/5
Per/For 810/B/19
Per/For 810/B/20
X 110 mm
Y 730 mm

LAMINATO A CALDO
HOT ROLLED



Art. 812/9
Per/For 811/I
X 110 mm
Y 150 mm
forgiata
Hor forged



Art. 812/10
Per/For 811/I
X 110 mm
Y 300 mm
forgiata
Hor forged



Art. 812/11
Per/For 811/I
X 110 mm
Y 730 mm
forgiata
Hor forged



Art. 811/I
Ø 56 x 17 mm
L 2500 mm



Art. 1822/16
Per/For 811/I

Ø esterno
External Dia.
325 mm



Ø esterno
External Dia.
325 mm

Art. 1822/9
Per/For 811/I

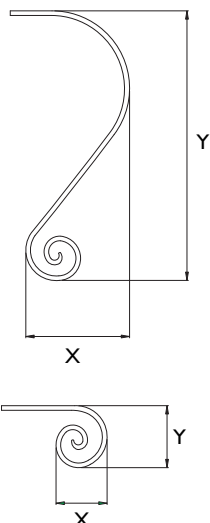


ARTEFERRO

LAMINATO A FREDDO
COLD ROLLED



Dimensioni Dimensions	L 3000 mm	L 6000 mm
	Cod.art./Art.no.	Cod.art./Art.no.
∅ 20 x 8 mm	118/7	118/7/6000
∅ 25 x 6 mm	1838/5	1838/5/6000
∅ 25 x 8 mm	118/8	118/8/6000
∅ 25 x 10 mm	1838/6	1838/6/6000
∅ 30 x 6 mm	1838/7	1838/7/6000
∅ 30 x 8 mm	114/9	114/9/6000
∅ 40 x 8 mm	1838/2	1838/2/6000
∅ 50 x 8 mm	1838/3	1838/3/6000
∅ 60 x 8 mm	1838/4	1838/4/6000
∅ 30 x 8 mm	186/4 zincato-galvanized	



X 130 mm Y 110 mm	X 110 mm Y 300 mm	X 110 mm Y 730 mm	∅ esterno External Dia. 325 mm	∅ esterno External Dia. 325 mm
----------------------	----------------------	----------------------	--------------------------------------	--------------------------------------

	Cod.art./Art.no.	Cod.art./Art.no.	Cod.art./Art.no.	Cod.art./Art.no.	Cod.art./Art.no.
per/For ∅ 30 x 8 mm	1818/11	1818/7	1818/1	1825/1	1825/5
per/For ∅ 40 x 8 mm	1818/12	1818/8	1818/2	1825/2	1825/6
per/For ∅ 50 x 8 mm	1818/13	1818/9	1818/3	1825/3	1825/7
per/For ∅ 60 x 8 mm	1818/14	1818/10	1818/4	1825/4	1825/8



LAMINATO A FREDDO
COLD ROLLED

Dimensioni Dimensions	L 3000 mm	L 6000 mm
	Cod.art./Art.no.	Cod.art./Art.no.
☑ 40 x 8 mm	114/10	114/10/6000



Art. 116/6
Per/For 114/10
X 110 mm
Y 300 mm

Art. 116/14
Per/For 114/10
X 130 mm
Y 110 mm

Art. 116/22
Per/For 114/10
X 110 mm
Y 300 mm

Art. 114/B/9
Per/For Art. 114/10
X 110 mm
Y 730 mm

curva a 90°/flat bend
Art. 116/30
Per/For Art. 114/10

curva a 180°/flat bend
Art. 116/A/13
Per/For Art. 114/10

Art. 1378/6
Per/For Art. 114/10
H 230 mm
L 300 mm

Art. 1378/15
Per/For Art. 114/10
H 320 mm
L 170 mm

LAMINATO A FREDDO
COLD ROLLED

Dimensioni Dimensions	L 3000 mm	L 6000 mm
	Cod.art./Art.no.	Cod.art./Art.no.
☑ 40 x 6 mm	114/14	114/14/6000
☑ 40 x 8 mm	114/5	114/5/6000
☑ 50 x 8 mm	114/13	114/13/6000



Art. 116/2
Per/For Art. 114/5
X 110 mm
Y 300 mm

Art. 116/10
Per/For Art. 114/5
X 130 mm
Y 110 mm

Art. 116/18
Per/For Art. 114/5
X 110 mm
Y 300 mm

Art. 114/B/5
Per/For Art. 114/5
X 110 mm
Y 730 mm

curva a 90°/flat bend
Art. 116/26
Per/For Art. 114/5

curva a 180°/flat bend
Art. 116/A/9
Per/For Art. 114/5

Art. 1378/2
Per/For Art. 114/5
H 230 mm
L 300 mm

Art. 1378/11
Per/For Art. 114/5
H 320 mm
L 170 mm

LAMINATI A FREDDO - COLD ROLLED



Art. 1378/9
Per/For Art. 118/14
H 230 mm
L 300 mm



Art. 116/38
Per/For Art. 118/14
X 110 mm
Y 300 mm



Art. 116/37
Per/For Art. 118/14
H 130 mm
Y 110 mm



Art. 116/36
Per/For Art. 118/14
X 110 mm
Y 300 mm



Dimensioni Dimensions	L 3000 mm
	Cod.art./Art.no.
30 x 8 mm	118/13
40 x 8 mm	118/14



Art. 1378/18
Per/For Art. 118/14
H 320 mm
L 170 mm



curva a 180°/flat bend

Art. 116/A/16
Per/For Art. 118/14



curva a 90°/flat bend

Art. 116/39
Per/For Art. 118/14

Art. 114/B/12
Per/For Art. 118/14
X 110 mm
Y 730 mm

Dimensioni Dimensions	L 6000 mm
	Cod.art./Art.no.
30 x 8 mm	118/13/6000
40 x 8 mm	118/14/6000



Art. 1378/7
Per/For Art. 114/11
H 230 mm
L 300 mm



Art. 116/23
Per/For Art. 114/11
X 110 mm
Y 300 mm



Art. 116/15
Per/For Art. 114/11
H 130 mm
Y 110 mm



Art. 116/7
Per/For Art. 114/11
X 110 mm
Y 300 mm



Dimensioni Dimensions	40 x 8 mm
	Cod.art./Art.no.
L 3000 mm	114/11
L 6000 mm	114/11/6000



1378/16
Per/For Art. 114/11
H 320 mm
L 170 mm



curva a 180°/flat bend

116/A/14
Per/For Art. 114/11



curva a 90°/flat bend

116/31
Per/For Art. 114/11

114/B/10
Per/For Art. 114/11
X 110 mm
Y 730 mm



Art. 1378/8
Per/For Art. 114/12
H 230 mm
L 300 mm



Art. 116/24
Per/For Art. 114/12
X 110 mm
Y 300 mm



Art. 116/16
Per/For Art. 114/12
H 130 mm
Y 110 mm



Art. 116/8
Per/For Art. 114/12
X 110 mm
Y 300 mm



Dimensioni Dimensions	40 x 8 mm
	Cod.art./Art.no.
L 3000 mm	114/12
L 6000 mm	114/12/6000



Art. 1378/17
Per/For Art. 114/12
H 320 mm
L 170 mm



curva a 180°/flat bend

Art. 116/A/15
Per/For Art. 114/12



curva a 90°/flat bend

Art. 116/32
Per/For Art. 114/12

Art. 114/B/11
Per/For Art. 114/12
X 110 mm
Y 730 mm

LAMINATI A FREDDO - COLD ROLLEDS



Art. 114/B/8
Per/For Art. 114/8
X 110 mm
Y 730 mm



Art. 116/5
Per/For Art. 114/8
X 110 mm
Y 300 mm



Art. 116/13
Per/For Art. 114/8
H 130 mm
Y 110 mm



Art. 116/21
Per/For Art. 114/8
X 110 mm
Y 300 mm



Art. 1378/5
Per/For Art. 114/8
H 230 mm
L 300 mm



Art. 116/29
Per/For Art. 114/8
curva a 90°/flat bend



Art. 116/A/12
Per/For Art. 114/8
curva a 180°/flat bend



Art. 1378/14
Per/For Art. 114/8
H 320 mm
L 170 mm

Dimensioni Dimensions	40 x 8 mm
	Cod.art./Art.no.
L 3000 mm	114/8
L 3000 mm	186/3 zincato/galvanized
L 6000 mm	114/8/6000



Art. 114/B/6
Per/For Art. 114/6
X 110 mm
Y 730 mm



Art. 116/3
Per/For Art. 114/6
X 110 mm
Y 300 mm



Art. 116/11
Per/For Art. 114/6
H 130 mm
Y 110 mm



Art. 116/19
Per/For Art. 114/6
X 110 mm
Y 300 mm



Art. 1378/3
Per/For Art. 114/6
H 230 mm
L 300 mm



Art. 116/27
Per/For Art. 114/6
curva a 90°/flat bend



Art. 116/A/10
Per/For Art. 114/6
curva a 180°/flat bend



Art. 1378/12
Per/For Art. 114/6
H 320 mm
L 170 mm

Dimensioni Dimensions	40 x 8 mm
	Cod.art./Art.no.
L 3000 mm	114/6
L 6000 mm	114/6/6000



Art. 114/B/7
Per/For Art. 114/7
X 110 mm
Y 730 mm



Art. 116/4
Per/For Art. 114/7
X 110 mm
Y 300 mm



Art. 116/12
Per/For Art. 114/7
H 130 mm
Y 110 mm



Art. 116/20
Per/For Art. 114/7
X 110 mm
Y 300 mm



Art. 1378/4
Per/For Art. 114/7
H 230 mm
L 300 mm



Art. 116/28
Per/For Art. 114/7
curva a 90°/flat bend



Art. 116/A/11
Per/For Art. 114/7
curva a 180°/flat bend



Art. 1378/13
Per/For Art. 114/7
H 320 mm
L 170 mm

Dimensioni Dimensions	40 x 8 mm
	Cod.art./Art.no.
L 3000 mm	114/7
L 6000 mm	114/7/6000



**LAMINATO A FREDDO
COLD ROLLED**

Dimensioni Dimensions	∅ 40 x 8 mm
	Cod.art./Art.no.
L 3000 mm	114/4
L 6000 mm	114/4/6000



Art. 1378/1
Per/For Art. 114/4
H 230 mm
L 300 mm



Art. 116/17
Per/For Art. 114/4
X 110 mm
Y 300 mm



Art. 116/9
Per/For Art. 114/4
H 130 mm
Y 110 mm



Art. 116/1
Per/For Art. 114/4
X 110 mm
Y 300 mm



Art. 114/B/4
Per/For Art. 114/4
X 110 mm
Y 730 mm



Art. 1378/10
Per/For Art. 114/4
H 320 mm
L 170 mm



curva a 180°/flat bend

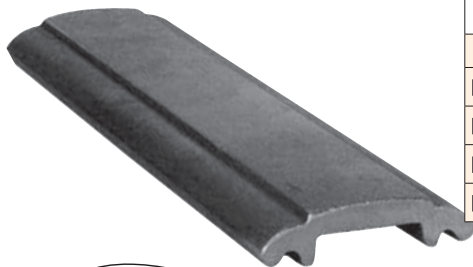
Art. 116/A/8
Per/For Art. 114/4



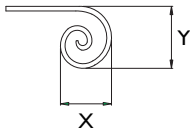
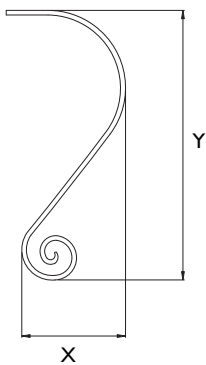
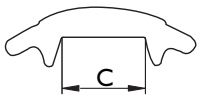
curva a 90°/flat bend

Art. 116/25
Per/For Art. 114/4

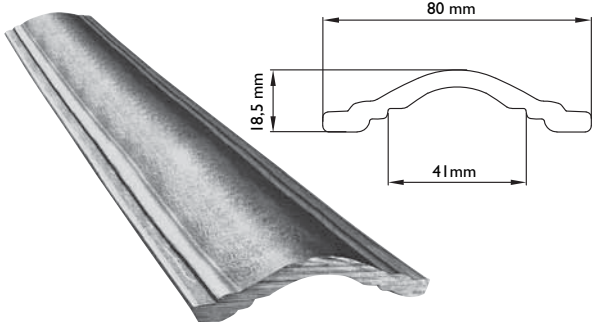
Dimensioni Dimensions	C	L 3000 mm	L 6000 mm
		Cod.art./Art.no.	Cod.art./Art.no.
∅ 35 x 10 mm	16 mm	810/B/1	810/B/5
∅ 40 x 10,5 mm	18 mm	810/B/2	810/B/6
∅ 45 x 16 mm	22 mm	810/B/3	810/B/7
∅ 55 x 17 mm	24,8 mm	810/B/4	810/B/8



**LAMINATO A CALDO
HOT ROLLED**



Dimensioni Dimensions	Cod.art./Art.no.	Cod.art./Art.no.	Cod.art./Art.no.
per/For ∅ 35 x 10 mm	1377/1	1377/14	1819/1
per/For ∅ 40 x 10,5 mm	1377/2	1377/15	1819/2
per/For ∅ 45 x 16 mm	1377/3	1377/16	1819/3
per/For ∅ 55 x 17 mm	1377/4	1377/17	1819/4



Dimensioni Dimensions	L 3000 mm	L 6000 mm
	Cod.art./Art.no.	Cod.art./Art.no.
∅ 80 x 18,5 mm	811/9/T	811/10/T

**LAMINATO A FREDDO
COLD ROLLED**



Art. 1820/14
Per/For Art. 810/B/9/T
Per/For Art. 810/B/10/T
X 130 mm
Y 110 mm



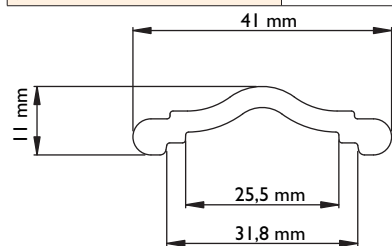
Art. 1820/13
Per/For Art. 810/B/9/T
Per/For Art. 810/B/10/T
X 110 mm
Y 300 mm



Art. 1820/12
Per/For Art. 810/B/9/T
Per/For Art. 810/B/10/T
X 110 mm
Y 730 mm

Dimensioni Dimensions	L 3000 mm	L 6000 mm
	Cod.art./Art.no.	Cod.art./Art.no.
☒ 41 x 11 mm	811/4/T	811/7/T

LAMINATO A FREDDO
COLD ROLLED



Art. 812/13/T
Per/For Art. 810/B/4
Per/For Art. 810/B/7
X 130 mm
Y 110 mm



Art. 1377/41/T
Per/For Art. 810/B/4
Per/For Art. 810/B/7
X 110 mm
Y 300 mm



Art. 1820/10
Per/For Art. 810/B/4
Per/For Art. 810/B/7
X 110 mm
Y 730 mm



Ø esterno
External Dia.
205 mm
Art. 1825/27
Per/For Art. 810/B/4
Per/For Art. 810/B/7



Ø esterno
External Dia.
205 mm
Art. 1825/17
Per/For Art. 810/B/4
Per/For Art. 810/B/7



Art. 1822/9
Per/For Art. 114/1
Ø est. 325 mm



Art. 115/5
Per/For Art. 114/1
X 160 mm
Y 730 mm



Art. 115/1
Per/For Art. 114/1
X 300 mm
Y 100 mm



Art. 115/4
Per/For Art. 114/1
X 150 mm
Y 130 mm



Art. 114/1
☒ 58 x 14 mm
L 2000 mm

CORRIMANI FUCINATI
A MANO
HAND FORGED
HANDRAILS



Art. 1822/20
per/for 114/1
Ø est. 325 mm



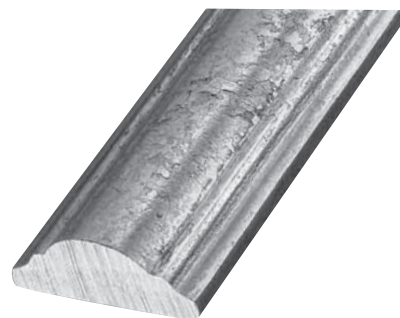
Art. 1814/1
Per/For Art. 1838/1
X 160 mm
Y 730 mm



Art. 1814/7
Per/For Art. 1838/1
X 300 mm
Y 100 mm



Art. 1814/13
Per/For Art. 1838/1
X 150 mm
Y 130 mm



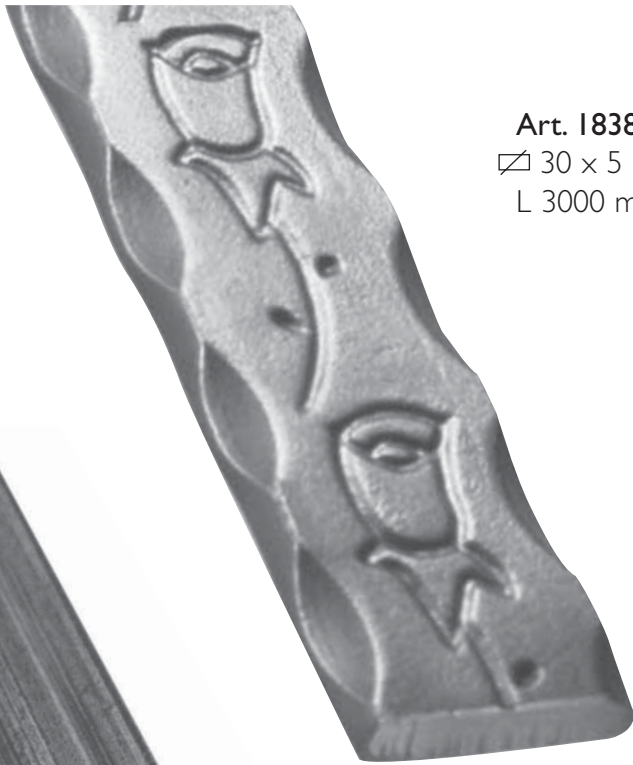
Art. 1838/1
☒ 46 x 18 mm
L 2000 mm



Art. 1822/11
Per/For 1838/1
Ø est. 325 mm



Art. 1822/22
Per/For 1838/1
Ø est. 325 mm



Art. 1838/8
 \varnothing 30 x 5 mm
 L 3000 mm

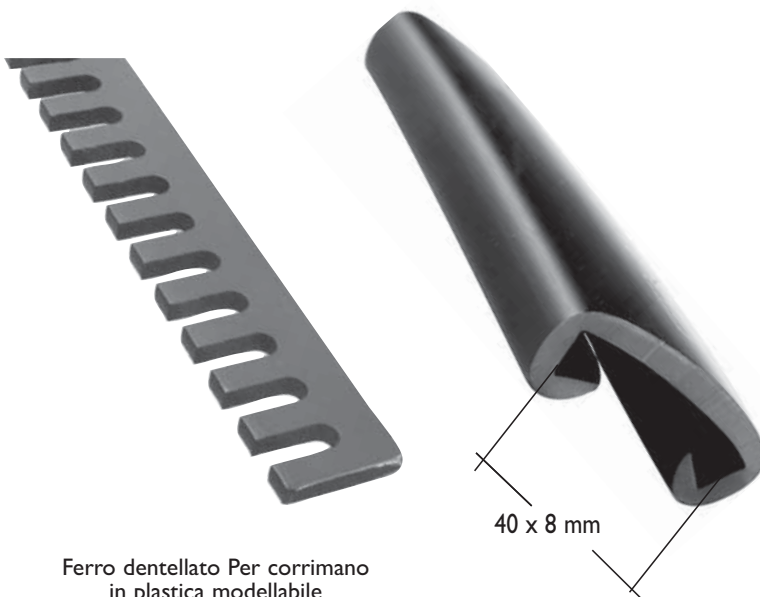


LAMINATI A FREDDO
 COLD ROLLEDS

Art. 1839/25
 \varnothing 16 x 3 mm
 L 4000 mm



ARTEFERRO

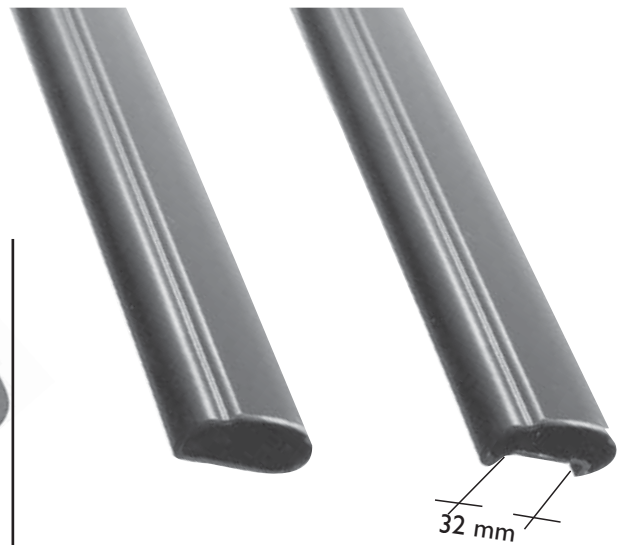


Ferro dentellato Per corrimano
 in plastica modellabile
 Slotted steel section for smooth
 black plastic moulding

Art. 118/F/10
 \varnothing 40 x 8 mm
 L 1500 mm

Plastica modellabile
 Smooth black plastic moulding
 - Rotoli da 25 mt / 25 m Rolls -

Art. 118/F/9
 per/for \varnothing 40 x 8 mm

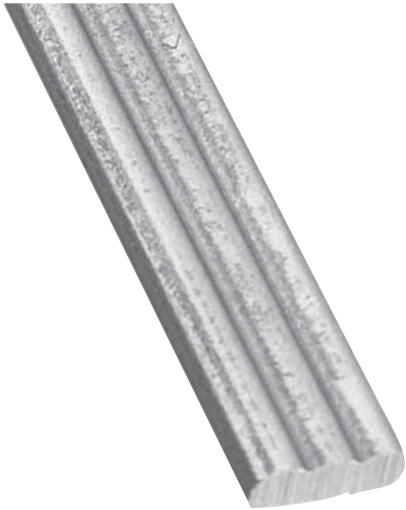


tubolare d'acciaio
 steel tubular

Art. 118/F/7
 \varnothing 50 x 30 mm
 L 6000 mm

tubolare d'acciaio
 steel tubular

Art. 118/F/8
 \varnothing 50 x 25 mm
 L 6000 mm



Art. 114/A/6
 \square 17 x 5 mm
 L 3000 mm



Art. 1837/7
 \square 52 x 7 mm
 L 3000 mm



Art. 114/A/5
 \square 30 x 5 mm
 L 3000 mm



Art. 810/A/19/T
 \square 25 x 40 mm
 L 3000 mm

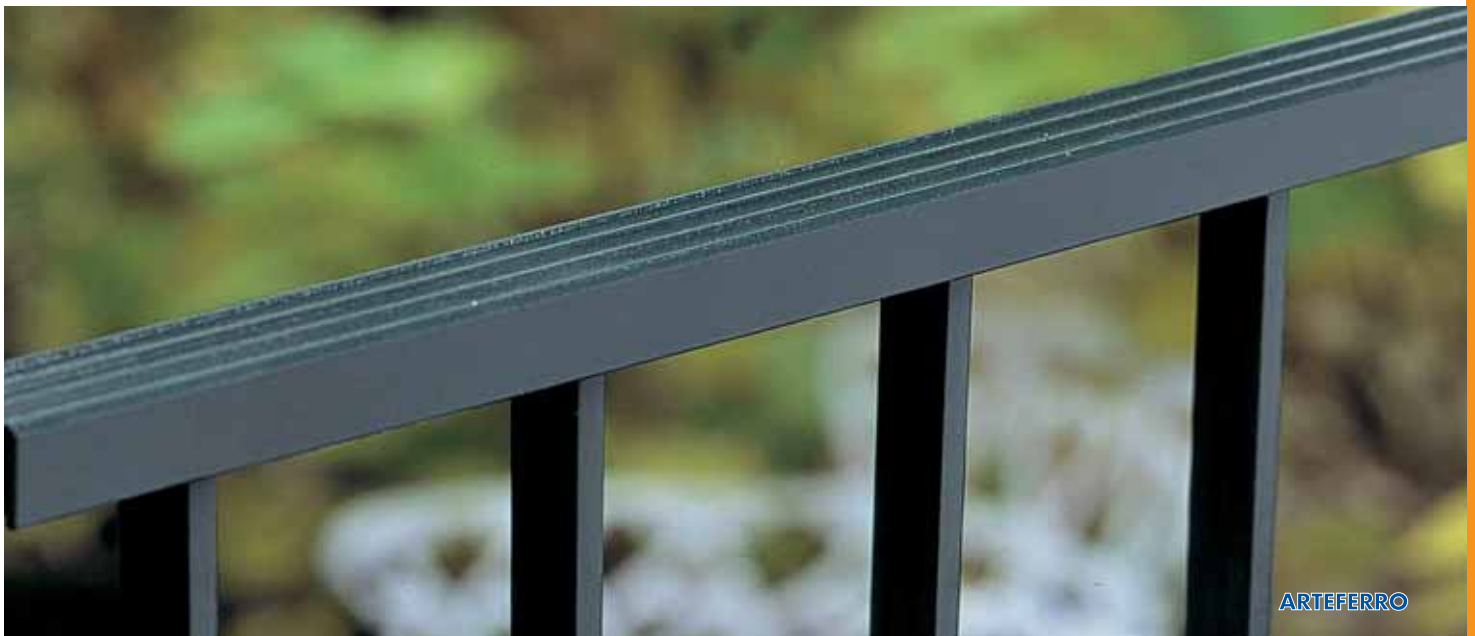
Art. 810/A/20/T
 \square 25 x 40 mm
 L 6000 mm



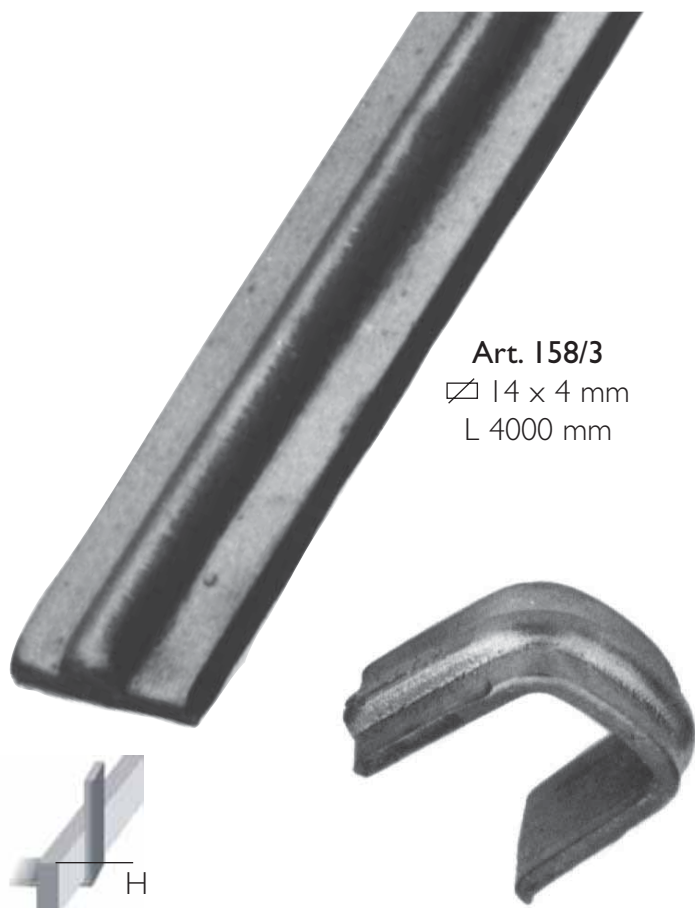
Art. 1373/1
 30 x 30 x 4 mm
 L 3000 mm



Art. 1837/8
 \square 57 x 17 mm
 L 3000 mm



ARTEFERRO



Art. 158/3
 □ 14 x 4 mm
 L 4000 mm



ARTEFERRO

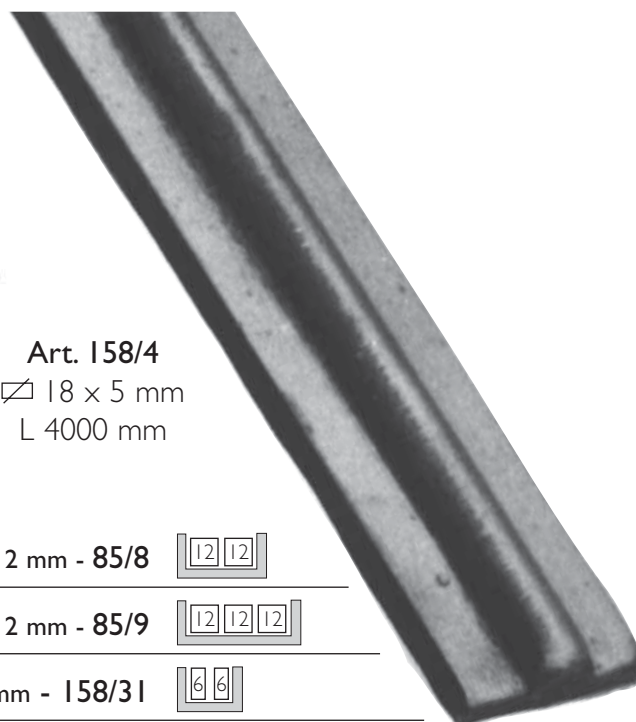
H 8 mm	per 2 barre/bars 8 x 8 mm - 158/20	
	per 4 barre/bars 8 x 8 mm - 158/21	
	per 3 barre/bars 8 x 8 mm - 158/22	
H 10 mm	per 2 barre/bars 10 x 5 mm - 158/23	
	per 3 barre/bars 10 x 10 mm - 158/24	
	per 2 barre/bars 10 x 10 mm - 158/25	
	per 8 x 8 mm + 2 barre/bars 10 x 5 mm - 1848/2	
H 12 mm	per 3 barre/bars 10 x 5 mm - 1848/6	
	per 2 barre/bars 12 x 6 mm - 158/26	
	per 3 barre/bars 12 x 6 mm - 158/27	
	per 4 barre/bars 12 x 6 mm - 158/28	
	per 6 barre/bars 12 x 6 mm - 158/29	
	per 2 barre/bars 12 x 12 mm - 158/30	
	per tondo/rond 16 mm + 2 barre/bars 12 x 6 mm - 1848/3	
	per 5 barre/bars 12 x 6 mm - 1848/4	
H 16 mm	per 16 x 16 mm + 2 barre/bars 16 x 8 mm - 1848/1	
H 20 mm	per 2 barre/bars 20 x 6 mm - 1848/5	



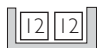
ARTEFERRO




Art. 158/4
 ∅ 18 x 5 mm
 L 4000 mm




H
12 mm

per 2 barre/bars 12 x 12 mm - 85/8 

per 3 barre/bars 12 x 12 mm - 85/9 

per 2 barre/bars 12 x 6 mm - 158/31 

per 4 barre/bars 12 x 12 mm - 158/32 

per 5 barre/bars 12 x 6 mm - 158/33 


per 12 x 12 mm + 4 barre/bars 12 x 6 mm - 1848/11 


per 2 barre/bars 12 x 12 mm + 3 barre/bars 12 x 6 mm - 1848/12 

per 14 x 14 mm + 2 barre/bars 14 x 8 mm - 181/7 

per 14 x 14 mm + 1 barra/bar 14 x 8 mm - 181/8 

per 2 barre/bars 14 x 8 mm - 1848/7 


per 3 barre/bars 14 x 8 mm - 1848/8 


per 14 x 14 mm + 4 barre/bars 12 x 6 mm - 1848/13 

per 3 barre/bars 14 x 14 mm - 1848/15 

per 2 barre/bars 14 x 14 mm + 2 barre/bars 12 x 6 mm - 1848/16 

per 14 x 14 mm + 2 barre/bars 14 x 6 mm - 1848/14 

per 14 x 14 mm + 1 barra/bar 16 x 6 mm - 1848/20 

per 14 x 14 mm + 4 barre/bars 16 x 6 mm - 1848/21 

H
16 mm

per 4 barre/bars 16 x 6 mm - 1848/9 

per 16 x 16 mm + 2 barre/bars 16 x 6 mm - 1848/17 

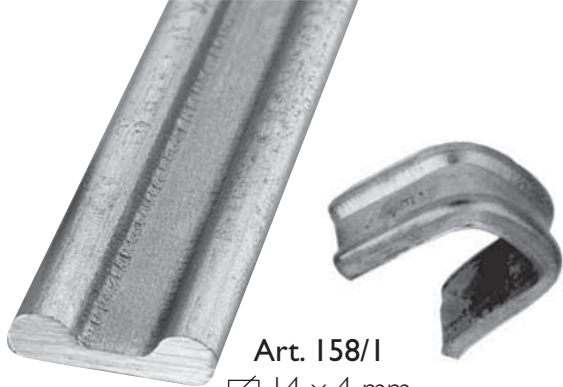
H
25 mm

per 1 barra/bar 25 x 25 mm - 1848/18 

H
30 mm

per 1 barra/bar 30 x 30 mm - 1848/19 

per 2 barre/bars 30 x 4 mm - 1848/10 



Art. 158/1
 ▧ 14 x 4 mm
 L 4000 mm

Dimensioni Dimensions	L 3000 mm	L 4000 mm	L 6000 mm
	Cod.art./Art.no.	Cod.art./Art.no.	Cod.art./Art.no.
▧ 14 x 4 mm	-	158/1	-
▧ 18 x 5 mm	-	158/2	-
▧ 25 x 8 mm	158/49		158/52
▧ 30 x 8 mm	158/50		158/53
▧ 40 x 8 mm	158/51		158/54



H
12 mm

H
14 mm

H
16 mm

H
18 mm

H
25 mm

per 4 barre/bars 6 x 6 mm - 158/13

per 2 barre/bars 12 x 6 mm - 158/14

per 3 barre/bars 12 x 6 mm - 158/15

per 4 barre/bars 12 x 6 mm - 158/16

per 6 barre/bars 12 x 6 mm - 158/17

per 5 barre/bars 12 x 6 mm - 1851/1

per 2 barre/bars dia 12 mm - 1851/2

per 3 barre/bars dia 12 mm - 1851/3

per 14 x 14 mm + 2 barre/bars 12 x 6 mm - 1851/5

per 14 x 14 mm + 4 barre/bars 12 x 6 mm - 1851/6

per 1 barra/bar 14 x 14 mm - 1851/4

per 16 x 16 mm + 2 barre/bars 16 x 6 mm - 1851/7

per 16 x 16 mm + 4 barre/bars 16 x 6 mm - 1851/8

per 16 x 16 mm + 2 barre/bars 16 x 4 mm - 1851/9

per 16 x 16 mm + 4 barre/bars 16 x 4 mm - 1851/10

per 2 barre/bars 16 x 8 mm - 1851/11

per 3 barre/bars 16 x 8 mm - 1851/12

per 1 barra/bar 16 x 16 mm - 1851/13

▧ 18 x 5 mm = Art. 158/2

per 4 barre/bars 10 x 10 mm - 158/18

per 1 barra/bar 10 x 10 mm - 158/19

per 2 barre/bars 25 x 12 mm - 1851/26

per 2 barre/bars 12 x 12 mm - 1851/27

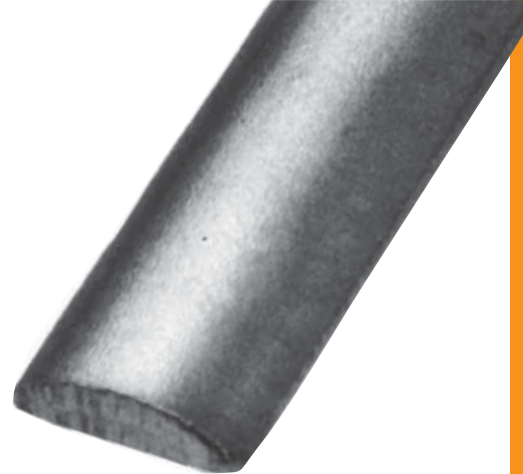
per 3 barre/bars 16 x 16 mm - 1851/28

per 1 barra/bar 25 x 25 mm - 1851/29

per 1 barra/bars 30 x 30 mm - 1851/30



Dimensioni Dimensions	L 4000 mm
	Cod.art./Art.no.
∅ 11 x 3 mm	158/5
∅ 14 x 4 mm	158/6
∅ 16 x 5 mm	158/7
∅ 21 x 6 mm	158/8



H 10 mm	∅ 11 x 3 mm = Art. 158/5	
	per 2 barre/bars 10 x 5 mm - 158/34	
H 10 mm	per 3 barre/bars 10 x 5 mm - 158/35	
	∅ 14 x 4 mm = Art. 158/5	
H 10 mm	per 3 barre/bars dia 10 mm - 1846/3	
	per 2 barre/bars dia 10 mm - 1846/4	
H 12 mm	per 4 barre/bars 12 x 6 mm - 1851/14	
	per 3 barre/bars dia 12 mm - 1851/15	
	per 2 barre/bars dia 12 mm - 1851/16	
	per 3 barre/bars 12 x 12 mm - 1851/19	
	per 12 x 12 mm + 2 barre/bars 12 x 6 mm - 1851/20	
	per 14 x 14 mm + 2 barre/bars 12 x 6 mm - 1851/21	
H 14 mm	per 2 barre/bars dia 14 mm - 1851/17	
	per 3 barre/bars dia 14 mm - 1851/18	
H 16 mm	per 2 barre/bars 16 x 4 mm - 158/36	
	per 3 barre/bars 16 x 4 mm - 158/37	
	per 1 barra/bar 16 x 16 mm - 1851/22	
	per 16 x 16 mm + 1 barra/bar 16 x 6 mm - 1851/23	
	per 4 barre/bars 16 x 4 mm - 1851/24	
H 20 mm	per 5 barre/bars 16 x 4 mm - 1851/25	
	per 2 barre/bars 20 x 4 mm - 158/38	
	per 3 barre/bars 20 x 4 mm - 158/39	
	per 2 barre/bars 20 x 6 mm - 158/40	
	per 3 barre/bars 20 x 6 mm - 158/41	
H 25 mm	per 2 barre/bars 25 x 4 mm - 158/42	
	per 3 barre/bars 25 x 4 mm - 158/43	
	per 2 barre/bars 25 x 6 mm - 158/44	



Dimensioni Dimensions	L 3000 mm	L 6000 mm
	Cod.art./Art.no.	Cod.art./Art.no.
Φ 12 x 12 mm	I18/1	I18/1/6000
Φ 14 x 14 mm	I18/2	I18/2/6000
Φ 16 x 16 mm	I18/3	I18/3/6000
Φ 18 x 18 mm	I18/4	I18/4/6000
Φ 20 x 20 mm	I18/5	I18/5/6000
Φ 25 x 25 mm	I18/6	I18/6/6000
Φ 30 x 30 mm	I18/24	I18/24/6000
Φ 40 x 40 mm	I18/25	I18/25/6000

Zincato/Galvanized

Φ 14 x 14 mm	I86/5	-
Φ 12 x 12 mm	I86/6	-



Dimensioni Dimensions	L 3000 mm	L 6000 mm
	Cod.art./Art.no.	Cod.art./Art.no.
∠ 20 x 8 mm	I18/7	I18/7/6000
∠ 25 x 6 mm	I838/5	I838/5/6000
∠ 25 x 8 mm	I18/8	I18/8/6000
∠ 25 x 10 mm	I838/6	I838/6/6000
∠ 30 x 6 mm	I838/7	I838/7/6000
∠ 30 x 8 mm	I14/9	I14/9/6000
∠ 40 x 8 mm	I838/2	I838/2/6000
∠ 50 x 8 mm	I838/3	I838/3/6000
∠ 60 x 8 mm	I838/4	I838/4/6000

Zincato/Galvanized

∠ 40 x 8 mm	I86/3	-
∠ 30 x 8 mm	I86/4	-



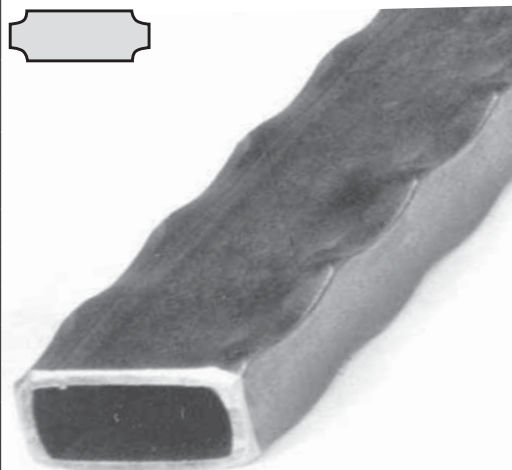
Dimensioni Dimensions	L 3000 mm	L 6000 mm
	Cod.art./Art.no.	Cod.art./Art.no.
∠ 12 x 6 mm	I839/21	I839/21/6000
∠ 14 x 6 mm	I839/22	I839/22/6000
∠ 14 x 8 mm	I839/23	I839/23/6000
∠ 16 x 8 mm	I839/24	I839/24/6000
∠ 25 x 6 mm	I839/15	I839/15/6000
∠ 25 x 8 mm	I839/16	I839/16/6000
∠ 30 x 6 mm	I839/17	I839/17/6000
∠ 30 x 8 mm	I839/18	I839/18/6000
∠ 30 x 15 mm	I839/1	I839/1/6000
∠ 30 x 20 mm	I839/2	I839/2/6000
∠ 40 x 6 mm	I839/19	I839/19/6000
∠ 40 x 8 mm	I839/20	I839/20/6000
∠ 40 x 15 mm	I839/3	I839/3/6000
∠ 40 x 20 mm	I839/4	I839/4/6000



Dimensioni Dimensions	spessore thickness	L 3000 mm	L 6000 mm
		Cod.art./Art.no.	Cod.art./Art.no.
∅ 12 x 12 mm	1 mm	I374/21	I374/19
∅ 12 x 12 mm	1,5 mm	I374/26	I374/27
∅ 16 x 16 mm	1 mm	I374/22	I374/20
∅ 16 x 16 mm	1,5 mm	I374/25	I374/24
∅ 20 x 20 mm	2,5 mm	I374/1	I18/E/1
∅ 25 x 25 mm	2,5 mm	I374/2	I18/E/9
∅ 30 x 30 mm	2,5 mm	I374/3	I18/E/3
∅ 35 x 35 mm	2,5 mm	I374/23	I18/E/18
∅ 40 x 40 mm	2,5 mm	I374/4	I18/E/5
∅ 50 x 50 mm	2,5 mm	I374/5	I374/15
∅ 60 x 60 mm	2,5 mm		I18/E/13
∅ 80 x 80 mm	3 mm	I374/6	I374/16
∅ 100 x 100 mm	3 mm	I374/7	I374/17
∅ 120 x 120 mm	3 mm	I374/8	I374/18



Dimensioni Dimensions	spessore thickness	L 3000 mm	L 6000 mm
		Cod.art./Art.no.	Cod.art./Art.no.
∇ 30 x 20 mm	2,5 mm	I374/9	I18/E/2
∇ 40 x 20 mm	2,5 mm	I374/10	I18/E/4
∇ 40 x 30 mm	2,5 mm	I374/28	I18/E/19
∇ 50 x 30 mm	2,5 mm	I374/11	I18/E/6
∇ 50 x 40 mm	2,7 mm		I18/E/14
∇ 60 x 30 mm	2,7 mm	I374/12	I18/E/7
∇ 60 x 40 mm	2,5 mm	I374/29	I18/E/15
∇ 60 x 40 mm *	2,6 mm		I18/E/16
∇ 80 x 40 mm	2,7 mm	I374/13	I18/E/8
∇ 100 x 40 mm	2,7 mm	I374/14	I18/E/10
∇ 100 x 50 mm	2,7 mm	I374/30	I18/E/17



* BATTITURA ALLUNGATA - EXTENDEND HAMMERING



CORRIMANO e BARRE LUNGHE - HANDRAIL and LONG BARS

ARTEFERRO



lavorato su 2 lati
hammered on 2 sides

Art. 1370/5

Ø 12 × 12 mm
L 2000 mm

Art. 1370/6

Ø 14 × 14 mm
L 2000 mm

Art. 1370/7

Ø 16 × 16 mm
L 2000 mm

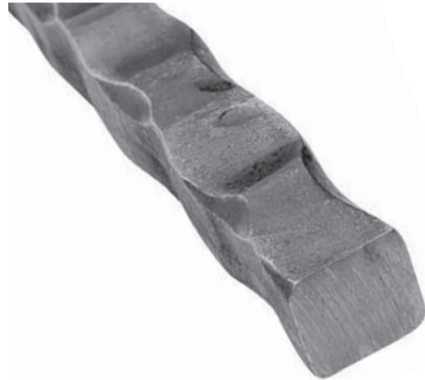
lavorato su 4 lati
hammered on 4 sides

Art. 1370/8

Ø 25 × 25 mm
L 2000 mm

Art. 1370/9

Ø 30 × 30 mm
L 2000 mm



MAGLIATO MANUALMENTE
per abbinamento ai caposaldi

HAND HAMMERED
to match newel posts

Art. 1370/11

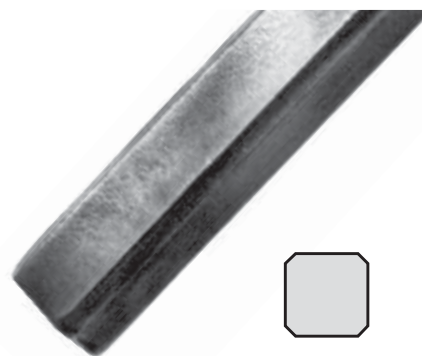
Ø 25 × 25 mm
L 2000 mm

Art. 1370/12

Ø 30 × 30 mm
L 2000 mm






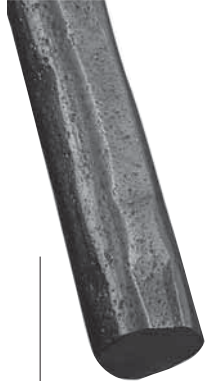


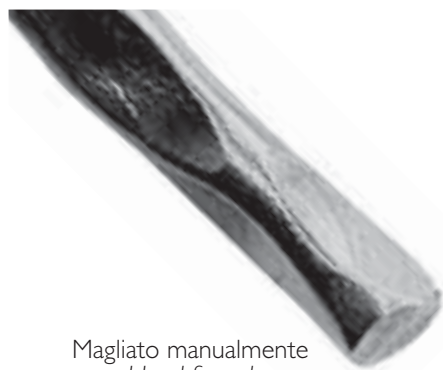
Dimensioni Dimensions	L 2000 mm	L 3000 mm	L 6000 mm
	Cod.art./Art.no.	Cod.art./Art.no.	Cod.art./Art.no.
∅ 12 x 12 mm	118/A/44	GD124/17	GD124/25
∅ 14 x 14 mm	118/A/17	GD124/18	GD124/26
∅ 16 x 16 mm	118/A/18	GD124/19	GD124/27
∅ 18 x 18 mm	118/A/19	GD124/20	GD124/28
∅ 20 x 20 mm	118/A/20	GD124/21	GD124/29
∅ 22 x 22 mm	118/A/21	GD124/22	GD124/30
∅ 25 x 25 mm	118/A/22	GD124/23	GD124/31
∅ 30 x 30 mm	118/A/23	GD124/24	GD124/32



CORRIMANO e BARRE LUNGHE - HANDRAIL and LONG BARS

ARTEFERRO

Dimensioni Dimensions						
L 3000 mm	Tralcio di vite <i>Grapevine effect</i>	Corteccia <i>Tree bark effect</i>			Magliato <i>hand forged</i>	
	Cod.art./Art.no.	Cod.art./Art.no.	Cod.art./Art.no.	Cod.art./Art.no.	Cod.art./Art.no.	Cod.art./Art.no.
Ø/dia 6 mm						600/1
Ø/dia 8 mm	598/11	599/1	1841/8	1841/19		600/2
Ø/dia 10 mm	598/12	599/2	1841/9	1841/20		600/3
Ø/dia 12 mm	598/13	599/3	1841/10	1841/21	598/1	600/4
Ø/dia 14 mm	598/14	599/4	1841/11	1841/22	598/2	600/5
Ø/dia 16 mm	598/15	599/5	1841/12	1841/23	598/3	600/6
Ø/dia 18 mm	598/16	599/6	1841/13	1841/24	598/4	600/7
Ø/dia 20 mm	598/17	599/7	1841/14	1841/25	598/5	600/8
Ø/dia 22 mm	598/18	599/8	1841/15	1841/26		600/9
Ø/dia 24 mm	598/19	599/9	1841/16	1841/27		600/10
Ø/dia 25 mm					598/6	
Ø/dia 26 mm			1841/17	1841/28		
Ø/dia 30 mm			1841/18	1841/29	598/7	
Ø/dia 40 mm					598/8	



Magliato manualmente
Hand forged

Art. 598/10

Ø 8 mm
L 3000 mm



L 3000 mm



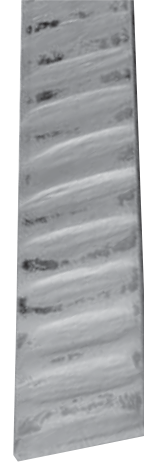
Art. 598/9

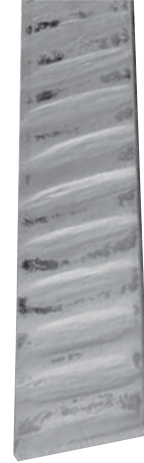
Ø 8 mm
L 3000 mm

Dimensioni Dimensions	magliato a mano <i>hand hammered</i>
	Cod.art./Art.no.
Ø/dia 14 mm	118/A/10
Ø/dia 16 mm	118/A/11
Ø/dia 18 mm	118/A/12
Ø/dia 20 mm	118/A/13
Ø/dia 25 mm	118/A/14
Ø/dia 30 mm	118/A/15
Ø/dia 40 mm	118/A/16






ARTEFERRO



Dimensioni Dimensions		battuto meccanicamente su 4 spigoli e su 2 lati mechanically hammered on 4 edges and 2 sides		battuto su 4 spigoli e 4 lati hammered on 4 edges and 4 sides
L 3000 mm	Cod.art./Art.no.	Cod.art./Art.no.	Cod.art./Art.no.	Cod.art./Art.no.
∅ 16 x 4 mm	118/10			
∅ 20 x 4 mm	118/11			
∅ 20 x 6 mm	118/12			
∅ 20 x 8 mm	118/26			
∅ 25 x 4 mm	118/27			
∅ 25 x 8 mm	118/28			
∅ 30 x 6 mm			1839/7	1839/11
∅ 30 x 8 mm	118/13	118/A/6	1839/8	1839/12
∅ 30 x 10 mm		118/A/7		
∅ 30 x 15 mm		118/A/8		
∅ 30 x 20 mm	180/51	118/A/9		
∅ 40 x 4 mm	118/29			
∅ 40 x 6 mm			1839/9	1839/13
∅ 40 x 8 mm	118/14		1839/10	1839/14
∅ 50 x 4 mm	118/30			



Dimensioni Dimensions		battuto meccanicamente su 4 spigoli e su 2 lati mechanically hammered on 4 edges and 2 sides		
L 3000 mm	Cod.art./Art.no.	Cod.art./Art.no.	Cod.art./Art.no.	Cod.art./Art.no.
∅ 8 x 8 mm	118/15			
∅ 10 x 10 mm	118/16			
∅ 12 x 12 mm	118/17	118/A/1	1841/1	1841/30
∅ 14 x 14 mm	118/18	118/A/2	1841/2	1841/31
∅ 16 x 16 mm	118/19	118/A/3	1841/3	1841/32
∅ 18 x 18 mm	118/20	118/A/4	1841/4	1841/33
∅ 20 x 20 mm	118/21	118/A/5	1841/5	1841/34
∅ 22 x 22 mm			1841/6	1841/35
∅ 25 x 25 mm	118/22	180/53	1841/7	1841/36
∅ 30 x 30 mm	118/23	180/50		
∅ 40 x 40 mm		180/54		



L 3000 mm

- Art. 623/1 \square 12 x 6 mm
- Art. 623/2 \square 16 x 6 mm
- Art. 623/3 \square 14 x 6 mm
- Art. 623/12 \square 14 x 8 mm
- Art. 623/13 \square 16 x 8 mm



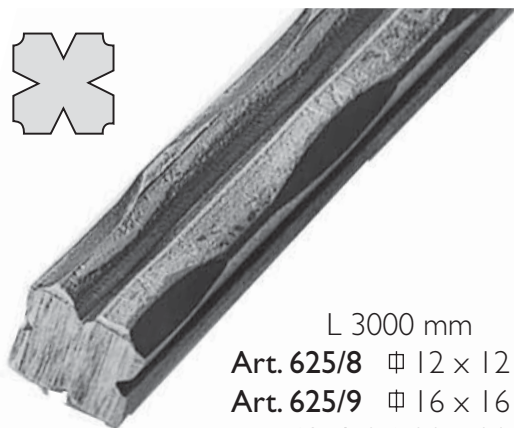
L 3000 mm

- Art. 623/4 \square 10 x 10 mm
- Art. 623/5 \square 12 x 12 mm
- Art. 623/6 \square 14 x 14 mm
- Art. 623/7 \square 16 x 16 mm
- Art. 623/8 \square 18 x 18 mm
- Art. 623/9 \square 20 x 20 mm
- Art. 623/10 \square 22 x 22 mm
- Art. 623/11 \square 24 x 24 mm



L 3000 mm

- Art. 625/1 \square 8 x 8 mm
- Art. 625/2 \square 10 x 10 mm
- Art. 625/3 \square 12 x 12 mm
- Art. 625/4 \square 14 x 14 mm
- Art. 625/5 \square 16 x 16 mm
- Art. 625/6 \square 18 x 18 mm
- Art. 625/7 \square 20 x 20 mm



L 3000 mm

- Art. 625/8 \square 12 x 12 mm
- Art. 625/9 \square 16 x 16 mm
- Art. 625/10 \square 20 x 20 mm



L 3000 mm

- Art. 626/10 \square 12 mm
- Art. 626/11 \square 14 mm
- Art. 626/12 \square 16 mm
- Art. 626/13 \square 18 mm
- Art. 626/14 \square 20 mm
- Art. 626/15 \square 22 mm
- Art. 626/19 \square 24 mm
- Art. 626/16 \square 26 mm



Rigato su 2 lati
Grooved on 2 sides

L 3000 mm

- 1369/1 \square 14 x 8 mm
- 1369/2 \square 16 x 8 mm



Dimensioni Dimensions	Attorcigliatura sinistra Twisted to the left		Attorcigliatura destra Twisted to the right		Attorcigliatura sinistra Twisted to the left		Attorcigliatura destra Twisted to the right	
	L 3000 mm	L 6000 mm	L 3000 mm	L 6000 mm	L 3000 mm	L 6000 mm	L 3000 mm	L 6000 mm
	Cod.art./Art.no.	Cod.art./Art.no.	Cod.art./Art.no.	Cod.art./Art.no.	Cod.art./Art.no.	Cod.art./Art.no.	Cod.art./Art.no.	Cod.art./Art.no.
∅ 8 x 8 mm	118/H/18	118/H/7						
∅ 10 x 10 mm	118/H/19	118/H/8						
∅ 12 x 12 mm	118/H/20	118/H/9						
∅ 14 x 14 mm	118/H/21	118/H/10						
∅ 16 x 16 mm	118/H/22	118/H/11						
∅ 18 x 18 mm	118/H/23	118/H/12						
∅ 20 x 20 mm	118/H/24	118/H/13						
∅ 25 x 25 mm	118/H/25	118/H/14						
∅ 30 x 30 mm	118/H/26	118/H/15	1806/19	1806/22				
∅ 40 x 40 mm	1806/14	1806/16	1806/18	1806/21				
∅ 50 x 50 mm	1806/13	1806/15	1806/17	1806/20				
∇ 20 x 6 mm					118/H/16	118/H/5		
∇ 30 x 8 mm					118/H/17	118/H/6		
∇ 50 x 25 mm					1806/24	1806/26	1806/28	1806/30
∇ 60 x 30 mm					1806/23	1806/25	1806/27	1806/29



Dimensioni Dimensions	Attorcigliatura sinistra Twisted to the left		Attorcigliatura destra Twisted to the right		Attorcigliatura sinistra Twisted to the left		Attorcigliatura destra Twisted to the right	
	L 3000 mm	L 6000 mm	L 3000 mm	L 6000 mm	L 3000 mm	L 6000 mm	L 3000 mm	L 6000 mm
	Cod.art./Art.no.	Cod.art./Art.no.	Cod.art./Art.no.	Cod.art./Art.no.	Cod.art./Art.no.	Cod.art./Art.no.	Cod.art./Art.no.	Cod.art./Art.no.
∅ 30 x 30 mm	1807/3	1807/6	1807/9	1807/12	1807/15	1807/18	1807/21	1807/24
∅ 40 x 40 mm	1807/2	1807/5	1807/8	1807/11	1807/14	1807/17	1807/20	1807/23
∅ 50 x 50 mm	1807/1	1807/4	1807/7	1807/10	1807/13	1807/16	1807/19	1807/22



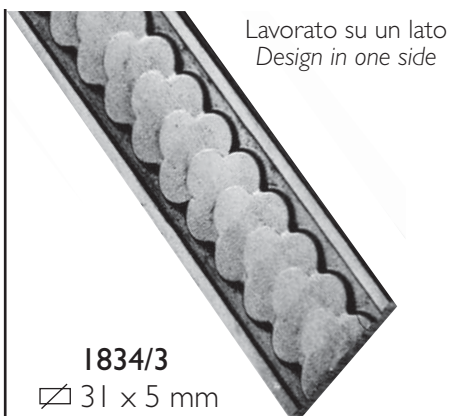
Lavorato su un lato
Design in one side

1834/1
 \varnothing 32 x 5 mm
 L 3000 mm



Lavorato su un lato
Design in one side

1834/2
 \varnothing 31 x 5 mm
 L 3000 mm



Lavorato su un lato
Design in one side

1834/3
 \varnothing 31 x 5 mm
 L 3000 mm



Lavorato su un lato
Design in one side

1834/9
 \varnothing 32 x 6 mm
 L 3000 mm



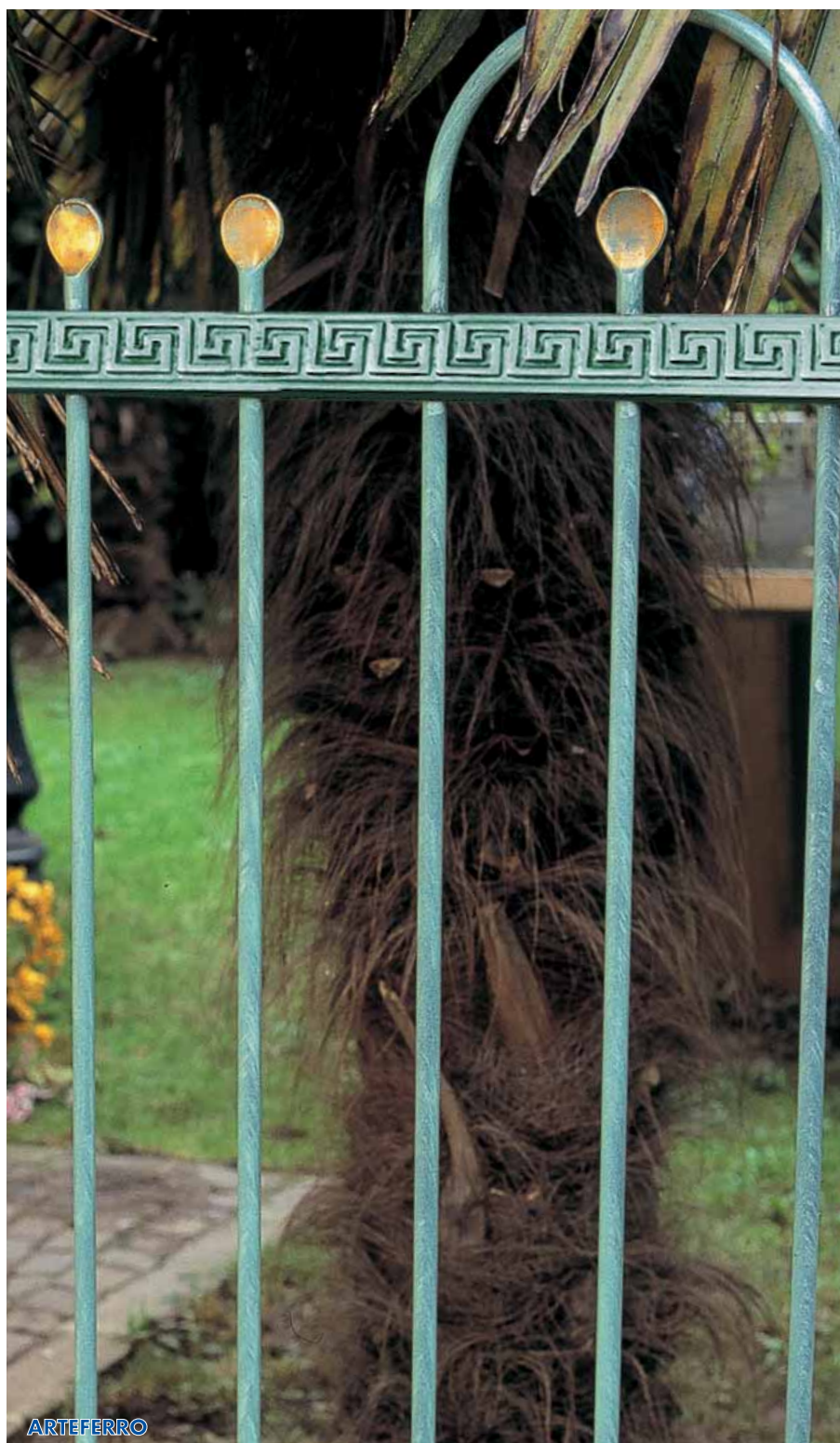
Lavorato su un lato
Design in one side

1834/5
 \varnothing 32 x 7 mm
 L 3000 mm



Lavorato su un lato
Design in one side

1834/6
 \varnothing 31 x 5 mm
 L 3000 mm



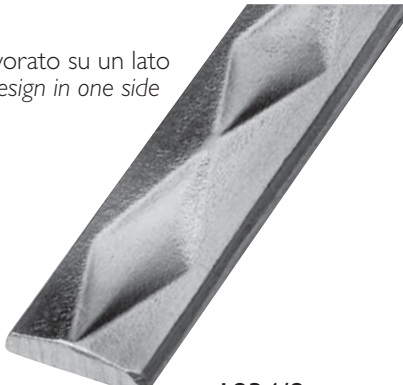
ARTEFERRO

Lavorato su un lato
Design in one side



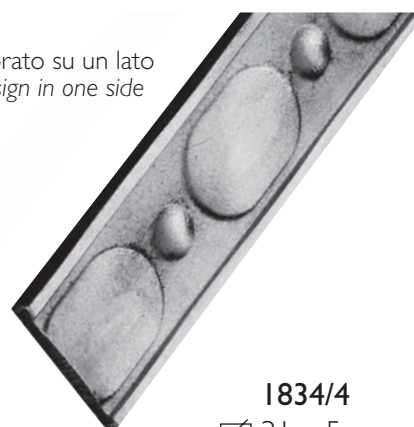
1834/7
∅ 32 x 6 mm
L 3000 mm

Lavorato su un lato
Design in one side



1834/8
∅ 32 x 9 mm
L 3000 mm

Lavorato su un lato
Design in one side



1834/4
∅ 31 x 5 mm
L 3000 mm



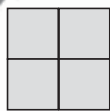
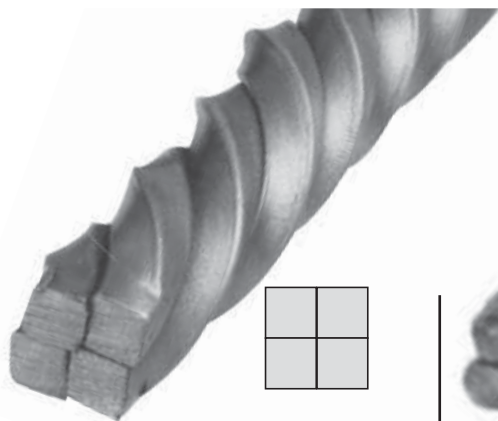
L 3000 mm
1837/1 ∅ 23 x 4 mm
1837/2 ∅ 27 x 5 mm
1837/3 ∅ 37 x 7 mm
1837/4 ∅ 41 x 8 mm



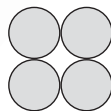
L 3000 mm
1837/5 ∅ 20 x 4 mm
1837/6 ∅ 30 x 6 mm



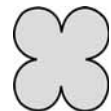
CORRIMANO e BARRE LUNGHE - HANDRAIL and LONG BARS



L 2000 mm
I18/F/1 Φ 12 x 12 mm
I18/F/2 Φ 16 x 16 mm
I18/F/3 Φ 20 x 20 mm
I18/F/4 Φ 24 x 24 mm
I18/F/5 Φ 28 x 28 mm



2700 mm
I19/1 Φ 16 mm
I19/2 Φ 20 mm
I19/3 Φ 30 mm

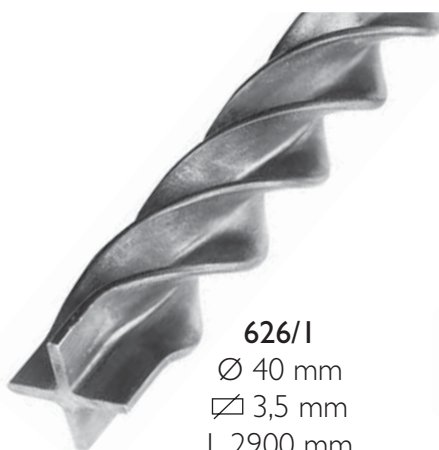


L 3000 mm
626/3 Φ 12 mm
626/4 Φ 14 mm
626/5 Φ 16 mm
626/6 Φ 18 mm
626/7 Φ 20 mm
626/8 Φ 22 mm
626/17 Φ 24 mm
626/9 Φ 26 mm

Fune solcata
a CALDO
Iron Ropes
HOT crossed



L 2000 mm
I17/10 Φ 14 x 14 mm
I17/11 Φ 16 x 16 mm
I17/12 Φ 18 x 18 mm
I17/13 Φ 20 x 20 mm
I17/14 Φ 30 x 30 mm



626/1
 Φ 40 mm
 ∇ 3,5 mm
L 2900 mm

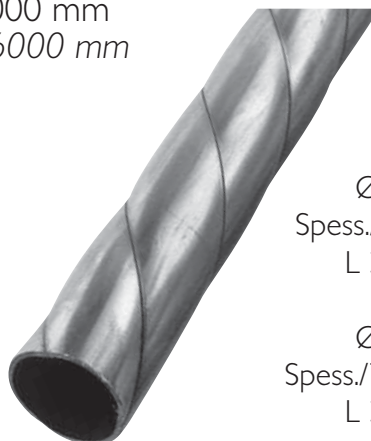
626/2
 Φ 50 mm
 ∇ 5 mm
L 2900 mm

Tubo
Tube



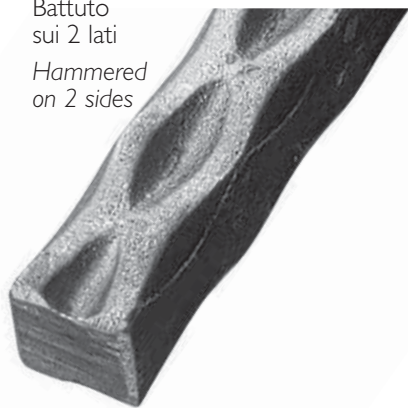
I18/F/6
 Φ 20 x 20 mm
L 2000 mm

Tubo rigato disponibile anche 6000 mm
Grooved round tube Also available 6000 mm

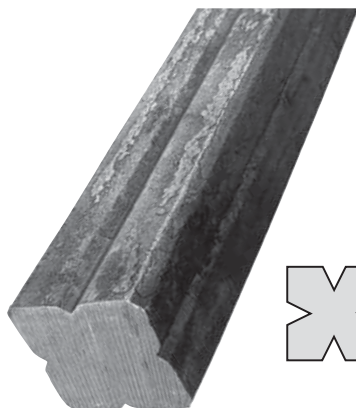


1794/9
 Φ 40 mm
Spess./Thickn. 2 mm
L 3000 mm
1794/10
 Φ 30 mm
Spess./Thickn. 1,5 mm
L 3000 mm

Battuto
sui 2 lati
Hammered
on 2 sides



I370/13
Ø 12 × 12 mm
L 3000 mm
I370/14
Ø 14 × 14 mm
L 3000 mm



L 3000 mm
I806/1 Ø 50 × 50 mm
I806/2 Ø 40 × 40 mm
I806/3 Ø 30 × 30 mm
L 6000 mm
I806/4 Ø 50 × 50 mm
I806/5 Ø 40 × 40 mm
I806/6 Ø 30 × 30 mm



L 3000 mm
622/1 Ø 12 × 6 mm
622/2 Ø 8 × 8 mm
622/3 Ø 14 × 8 mm
622/4 Ø 16 × 6 mm
622/5 Ø 16 × 8 mm
622/6 Ø 14 × 6 mm

Battuto
sui 2 lati
Hammered
on 2 sides



I370/10
Ø 30 × 30 mm
L 3000 mm

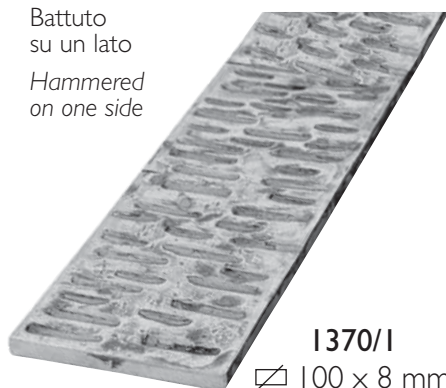


L 3000 mm
I806/7 Ø 50 × 50 mm
I806/8 Ø 40 × 40 mm
I806/9 Ø 30 × 30 mm
L 6000 mm
I806/10 Ø 50 × 50 mm
I806/11 Ø 40 × 40 mm
I806/12 Ø 30 × 30 mm



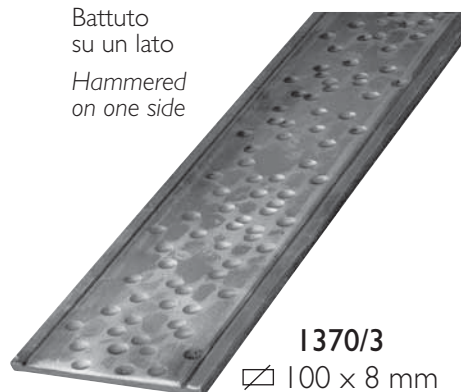
I326/1
Ø 6 mm
L 2000 mm

Battuto
su un lato
Hammered
on one side



I370/1
Ø 100 × 8 mm
L 2000 mm
I370/2
Ø 120 × 8 mm
L 2000 mm

Battuto
su un lato
Hammered
on one side



I370/3
Ø 100 × 8 mm
L 2000 mm
I370/4
Ø 120 × 8 mm
L 2000 mm



I839/5
Ø 40 × 6 mm
L 3000 mm
I839/6
Ø 40 × 8 mm
L 3000 mm

FERRO COMMERCIALE - COMMERCIAL IRON

L 4000 mm

1842/1	∅ 10 × 3 mm	1842/35	∅ 16 × 4 mm
1842/2	∅ 10 × 4 mm	1842/36	∅ 16 × 5 mm
1842/3	∅ 10 × 5 mm	1842/37	∅ 16 × 6 mm
1842/4	∅ 10 × 6 mm	1842/38	∅ 16 × 8 mm
1842/5	∅ 12 × 3 mm	1842/39	∅ 16 × 10 mm
1842/6	∅ 12 × 4 mm	1842/40	∅ 18 × 3 mm
1842/7	∅ 12 × 5 mm	1842/41	∅ 18 × 4 mm
1842/8	∅ 12 × 6 mm	1842/42	∅ 18 × 5 mm
1842/9	∅ 12 × 8 mm	1842/43	∅ 18 × 6 mm
1842/10	∅ 14 × 3 mm	1842/44	∅ 18 × 8 mm
1842/11	∅ 14 × 4 mm	1842/45	∅ 20 × 3 mm
1842/12	∅ 14 × 5 mm	1842/46	∅ 20 × 4 mm
1842/25	∅ 14 × 6 mm	1842/47	∅ 20 × 5 mm
1842/26	∅ 14 × 8 mm	1842/48	∅ 20 × 6 mm
1842/27	∅ 14 × 10 mm	1842/49	∅ 25 × 3 mm
1842/28	∅ 15 × 3 mm	1842/50	∅ 25 × 4 mm
1842/29	∅ 15 × 4 mm	1842/51	∅ 25 × 5 mm
1842/30	∅ 15 × 5 mm	1842/52	∅ 25 × 6 mm
1842/31	∅ 15 × 6 mm	1842/53	∅ 30 × 3 mm
1842/32	∅ 15 × 8 mm	1842/54	∅ 30 × 4 mm
1842/33	∅ 15 × 10 mm	1842/55	∅ 30 × 5 mm
1842/34	∅ 16 × 3 mm		



L 3000 mm

1368/11	∅ 10 × 5 mm
1368/12	∅ 12 × 6 mm
1368/13	∅ 14 × 8 mm
1368/14	∅ 16 × 4 mm
1368/15	∅ 20 × 4 mm
1368/16	∅ 20 × 6 mm
1368/17	∅ 25 × 4 mm
1368/18	∅ 30 × 8 mm
1368/19	∅ 40 × 8 mm

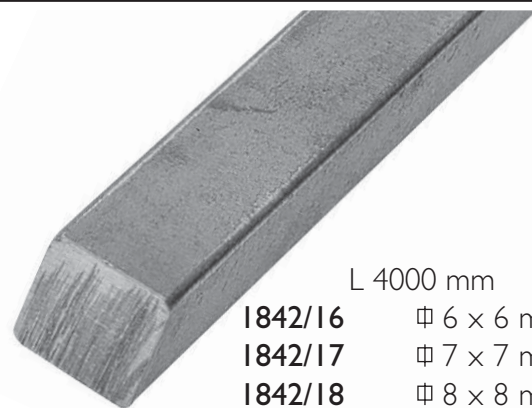


L 4000 mm

1842/13	∅ 6 mm
1842/14	∅ 8 mm
1842/15	∅ 10 mm

L 3000 mm

1368/6	∅ 6 mm
1368/7	∅ 8 mm
1368/8	∅ 10 mm
1368/9	∅ 12 mm
1368/10	∅ 14 mm
1368/23	∅ 16 mm
1368/24	∅ 18 mm
1368/25	∅ 20 mm



L 4000 mm

1842/16	∅ 6 × 6 mm
1842/17	∅ 7 × 7 mm
1842/18	∅ 8 × 8 mm
1842/19	∅ 9 × 9 mm
1842/20	∅ 10 × 10 mm
1842/21	∅ 11 × 11 mm
1842/22	∅ 12 × 12 mm
1842/23	∅ 13 × 13 mm
1842/24	∅ 14 × 14 mm

L 3000 mm

1368/1	∅ 6 × 6 mm
1368/2	∅ 8 × 8 mm
1368/3	∅ 10 × 10 mm
1368/4	∅ 12 × 12 mm
1368/5	∅ 14 × 14 mm
1368/20	∅ 16 × 16 mm
1368/21	∅ 18 × 18 mm
1368/22	∅ 20 × 20 mm



Via Vicenza, 6/14
36034 Malo (Vicenza) ITALY
TEL. (+39) 0445 580 580
FAX (+39) 0445 580 874
E-mail: india@arteferro.com
www.arteferro.com - www.arteferroinox.com
www.ilgrandefabbro.com - www.ironews.com



HOUSTON - U.S.A.

7947 MESA ROAD - HOUSTON
TEXAS 77028 - U.S.A.
PHONE: (+1) (713) 694-6065 / 1-800-772-4706
FAX: (+1) (713) 694-2055
www.indital.com - forgings@indital.com



MIAMI - U.S.A.

2955 N.W. 75th STREET
MIAMI, FLORIDA 33147 - USA
PHONE: (+1) (305) 836-9232 / 1-877-723-6743
FAX: (+1) (305) 836-4113
www.arteferromiami.com info@arteferromiami.com



AVELLINO - ITALY

Via Piano Alvanella 83024 MONTEFORTE IRPINO (AV)
Tel. (+39) 0825 68 00 81
Fax (+39) 0825 68 34 98
(Per Campania - Puglia - Calabria - Basilicata - Molise)
www.arteferrosud.it info@arteferrosud.it



FRANCE

Z.A.E. LA BAUME RN 113 - 34290 SERVIAN FRANCE
TEL. (+33) (0) 4.67.39.42.81 (lignes groupées)
Fax (+33) (0) 4.67.39.20.90
www.franceindia.com
france.india@wanadoo.fr



SPAIN

28500 ARGANDA DEL REY (MADRID) - ESPAÑA
C/ ABEDUL, 43 - Poligono "EL GUIJAR"
TEL. (+34) (91) 8701897 - 8700819
FAX (+34) (91) 8700820
info@arteferro.es www.arteferro.es



CROATIA

SIRKOVISCE bb 40324 GORICAN - HRVATSKA
PHONE (+385) (0)40 602 - 222
Fax PHONE (+385) (0)40 602-230
www.arteferro-dohomont.hr
info@arteferro-dohomont.hr



ROMANIA

Targoviste - Romania Soseaua Gaesti, (sat Colanu)
Judetul Dambovitia
Tel. (004) 0751060204, (004) 0745395590
Fax (004) 0745731210
E-mail: info@mobillforge.com



РОССИЯ

603092 Nizhny Novgorod (Russia)
Moskovskoje shosse, 320 B
TEL. (+7) (831) 296-19-99 FAX: (+7) (831) 279-28-63
www.arteferro.ru - info@arteferrorussia.com



UKRAINE

5, AVTOPARKOVA, 02660 Kiev - Ukraine
Tel.: (+38) (044) 4920331
Fax: (+38) (044) 4920332
E-mail: arteferroukraina@svitonline.com
www.arteferroukraina.com



POLAND

ul. Gierdziewskiego 7
02-495 Warszawa POLAND
Tel +48 (22) 397-79-40
Fax +48 (22) 397-21-55
info@indiapoland.com - www.indiapoland.com



MEXICO

Av. E. Martinez Lara # 117 Parque Industrial MILIMEX
Carretera Sta. Rosa Km. 3 Apodaca,
Nuevo León C.P. 66637
Teléfono: (81) 1295-5094 / 1295-5095 - Fax: (81) 1295-5097
info@arteferromonterrey.com www.arteferromonterrey.com



BRASIL

RUA PADRE FEIJÓ, 480 CEP 95190-000
SÃO MARCOS / RS BRASIL
TEL. - FAX (+55) (0) 54 32911416
www.arteferrobrasil.com.br
arteferro@arteferrobrasil.com.br



ARGENTINA

Suarez 760
(1162) Capital Federal Buenos Aires
Republica Argentina
TEL./Fax (+54) 11 43012637
www.laherreria.com



CHILE

LOS ARRAYANES 250,
COMUNA DE COLINA,
SANTIAGO DE CHILE
TEL./FAX (+56) 2 738 7419
www.arteferrochile.cl



SKANDINAVIEN

BRODALSVÄGEN 7 HUS X 433 38
PARTILLE - SWEDEN
TEL. +46 (0) 31 444060 - FAX. +46 (0) 31 444511
www.arteferroinox.se
info@arteferroinox.se

